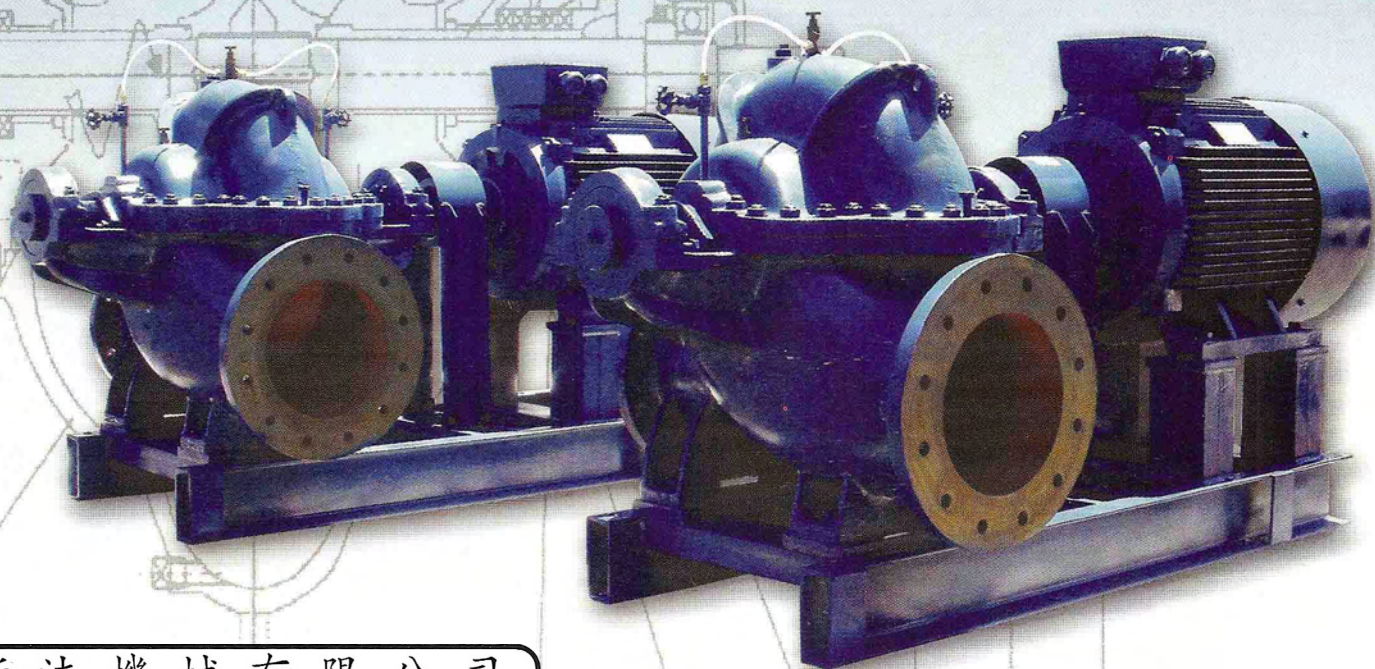


Pumps & Solutions

AXIALLY SPLIT CASING PUMPS

TYPE ASN & ASN-E



新法機械有限公司

NEW WAY ENGINEERING CO., LTD.

香港九龍新蒲崗六合街8號六合工業大廈22字樓F座

FLAT F, 22/F., LUK HOP INDUSTRIAL BUILDING,

8 LUK HOP STREET, SAN PO KONG, KOWLOON, H.K.

Tel : 2325 6892, 2325 7196

Fax No.: (852) 2322 1768

E-mail : info@newway.com.hk

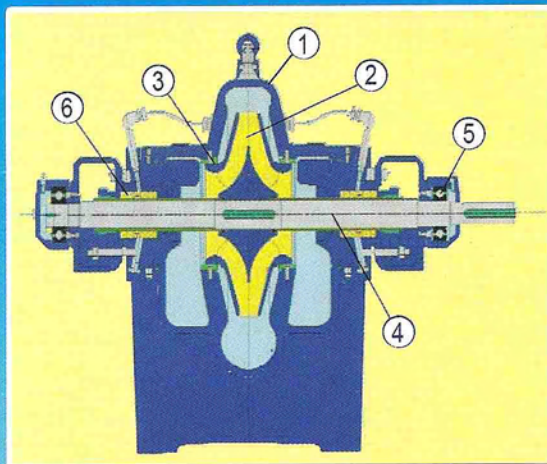
- Industrial ● Water Supply
- Agricultural ● Fire Fighting

ΔΡΑΚΟΣ-ΠΟΛΕΜΗΣ | **INDIP** PUMPS

Features

1. CASING

- Robust construction to eliminate the risk of vibration. Suction and discharge branches are coaxial and cast integral with the lower half casing, as well as the pump feet.
- Easy servicing, without disturbing suction and discharge piping and motor. The upper half casing is easily removable to allow access to the rotating assembly for inspection and maintenance.



2. IMPELLER

- Advanced desing for high efficiency and low NPSH. Double entry type, dynamically and hydraulically balanced because of pressure equalization on both sides of the impeller. In case of two stage pumps where single entry impellers are used, hydraulic balance is achieved due to back to back placement of the impellers.

3. WEAR RINGS

- Replaceable case wear rings flanged and doweled to ensure positive location within the casing.

4. SHAFT

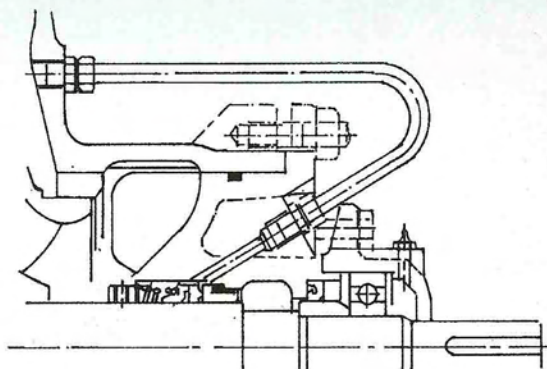
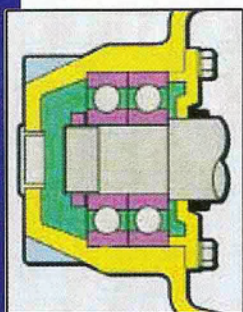
- The Carbon or staines steel shaft is accurately machined and features minimum deflection at the seal face. It is protected by shaft sleeves from wear in sealing areas.

5. BEARINGS

- Grease lubricated ball or roller bearings available also in double row when required on selected models.

6. STUFFING BOX

- Choice of sealing using gland packing or mechanical seal as standard.



MECHANICAL SEAL DETAILS

新法機械有限公司

NEW WAY ENGINEERING CO., LTD.

香港九龍新蒲崗六合街8號六合工業大廈22字樓F座

FLAT F, 22/F., LUK HOP INDUSTRIAL BUILDING,

8 LUK HOP STREET, SAN PO KONG, KOWLOON, H.K.

Tel : 2325 6892, 2325 7196 Fax No.: (852) 2322 1768

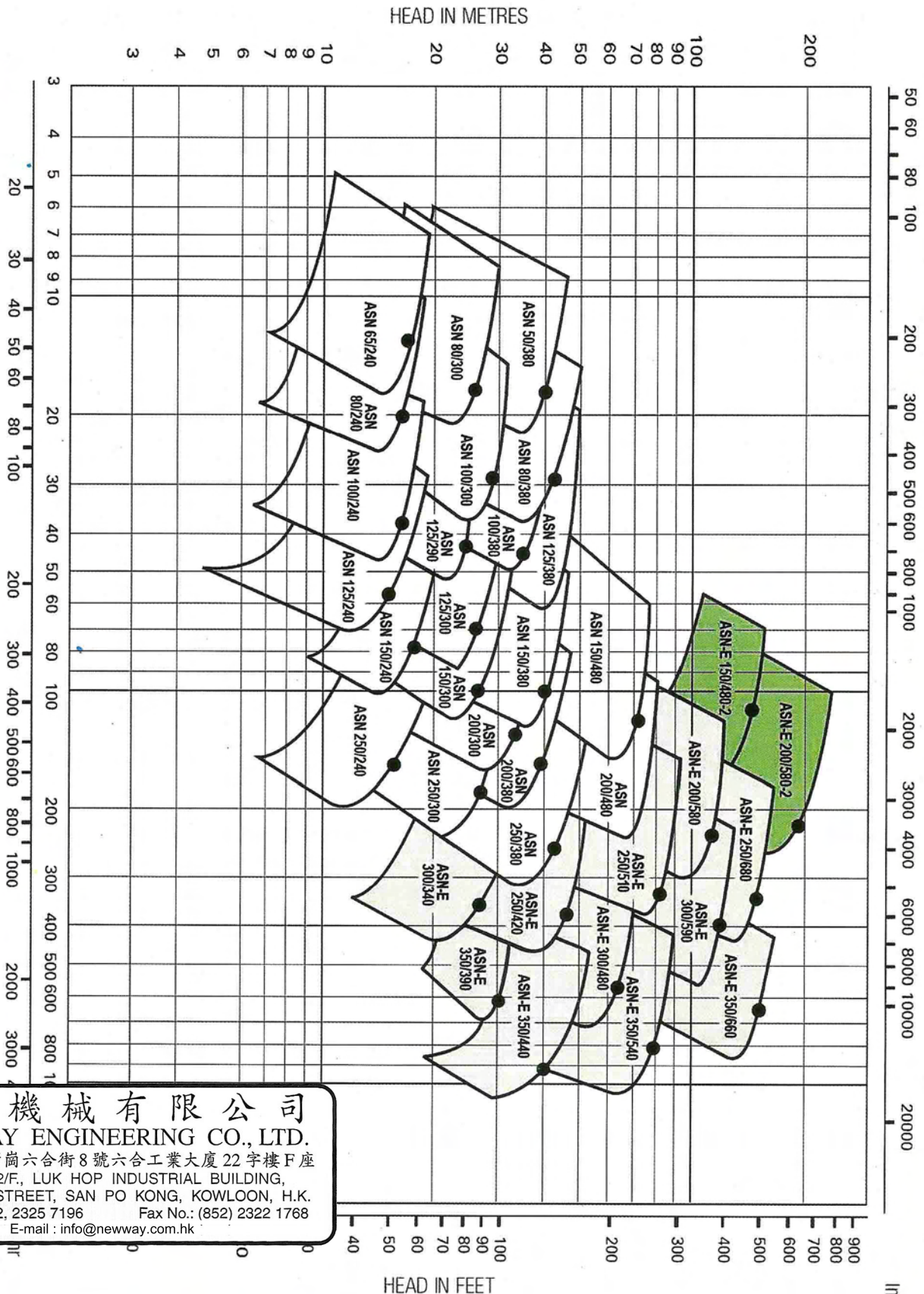
E-mail : info@newway.com.hk

65 mm - 350 mm

Temperature:	80° C standard, Optional up to 120° C
Maximum capacity:	4000 m ³ /hr (1100 l.s)
Maximum differential head:	240 m
Electricity Supply:	50 and 60 Hz
Sealing Options:	Soft packed or mechanical seal
Operating Pressures:	up to 25 bar depending on model

TYPE ASN - SPLIT CASING PUMPS

1450 RPM

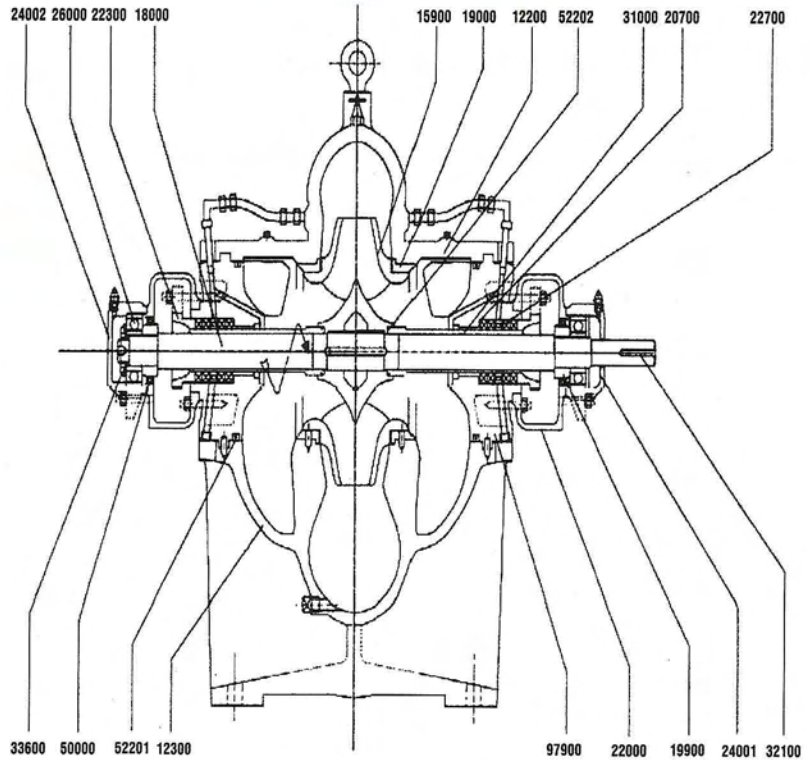


新法機械有限公司
 NEW WAY ENGINEERING CO., LTD.
 香港九龍新蒲崗六合街8號六合工業大廈22字樓F座
 FLAT F, 22/F., LUK HOP INDUSTRIAL BUILDING,
 8 LUK HOP STREET, SAN PO KONG, KOWLOON, H.K.
 Tel : 2325 6892, 2325 7196 Fax No.: (852) 2322 1768
 E-mail : info@newway.com.hk

TEL: 2325 6892

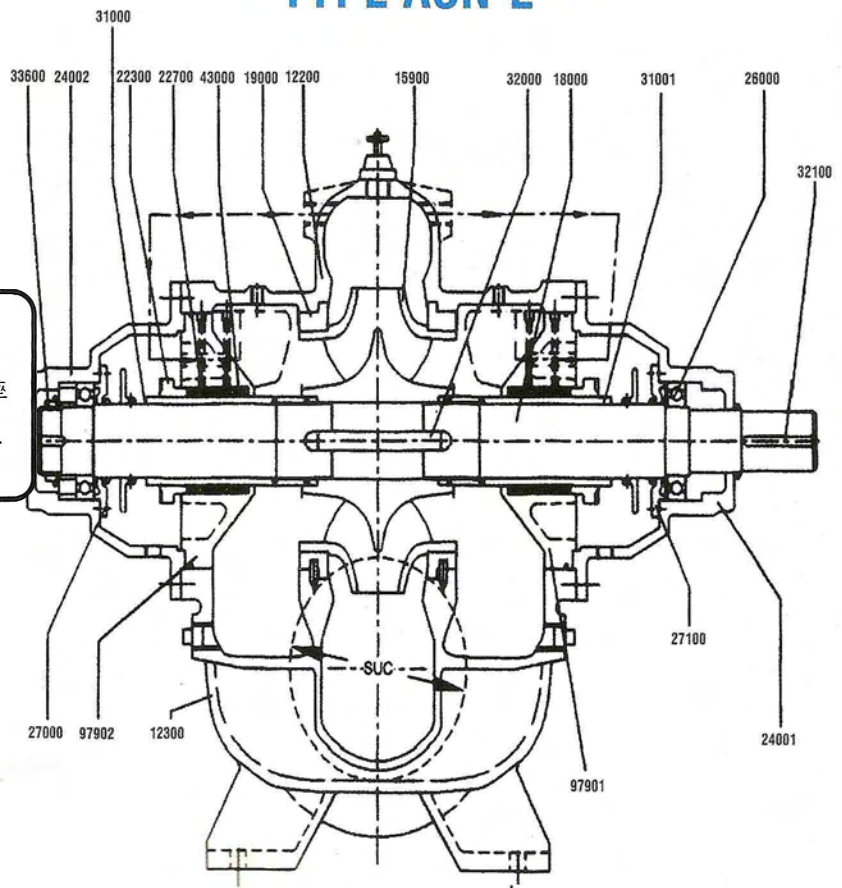
TYPICAL CROSS SECTIONS - PART LISTS

TYPE ASN



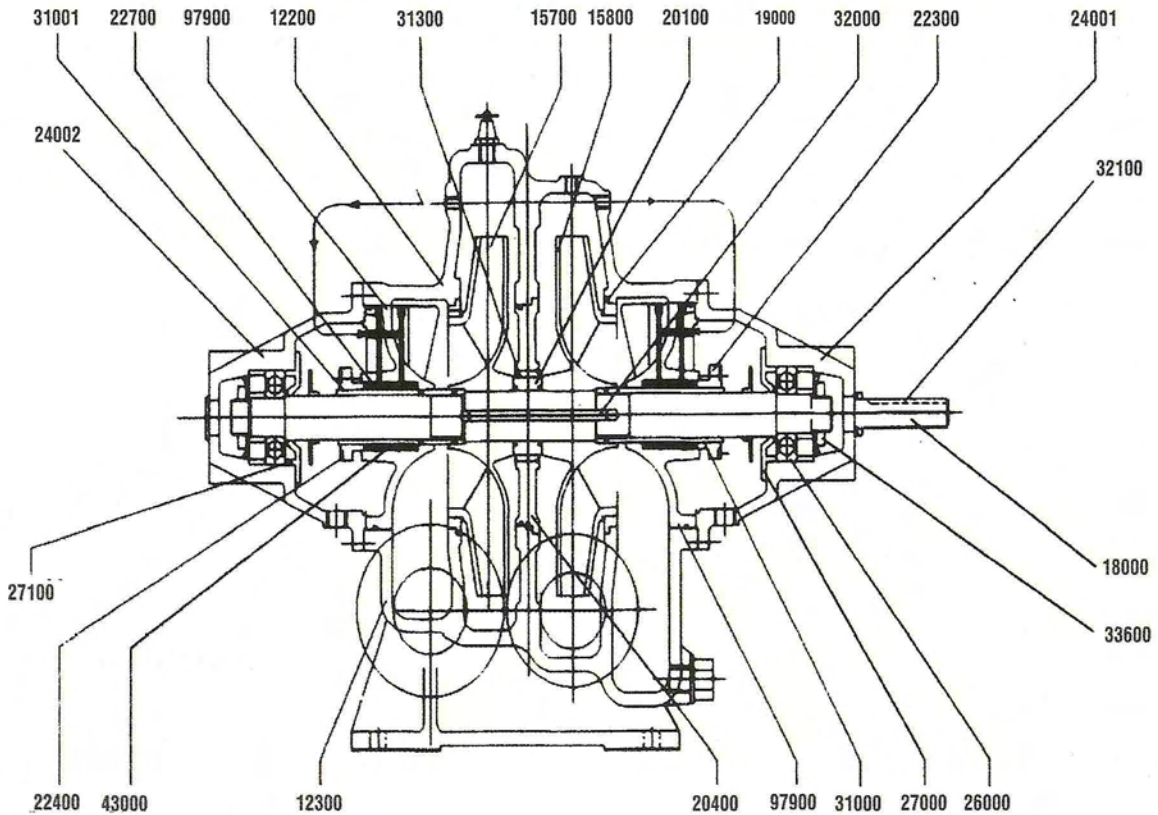
ASN - ASN-E - ASN-E-2	
PART No	PART DESCRIPTION
12200	UPPER HALF CASING
12300	LOWER HALF CASING
15700	IMPELLER (1 st Stage)
15800	IMPELLER (2 nd Stage)
15900	IMPELLER
18000	PUMP SHAFT
19000	WEAR RING
19900	SHOULDER RING
20100	SPACER
20400	INTER STAGE RING
20700	SPLIT LANTERN RING
22000	STUFFING BOX COVER
22300	GLAND
22400	GLAND PLATE
22700	LANTERN RING
24001	BEARING HOUSING D.E.
24002	BEARING HOUSING N.D.E.
26000	BALL BEARING
27000	BRG COVER D.E.
27100	BRG COVER N.D.E.
31000	SHAFT SLEEVE
31001	LOCKING SLEEVE
31300	INTER STAGE BUSH
32000	IMPELLER KEY
32100	KEY/COUPLING

TYPE ASN-E



新法機械有限公司
NEW WAY ENGINEERING CO., LTD.
 香港九龍新蒲崗六合街8號六合工業大廈22字樓F座
 FLAT F, 22/F, LUK HOP INDUSTRIAL BUILDING,
 8 LUK HOP STREET, SAN PO KONG, KOWLOON, H.K.
 Tel : 2325 6892, 2325 7196 Fax No.: (852) 2322 1768
 E-mail : info@newway.com.hk

TYPE ASN - E - 2 (Double Stage)



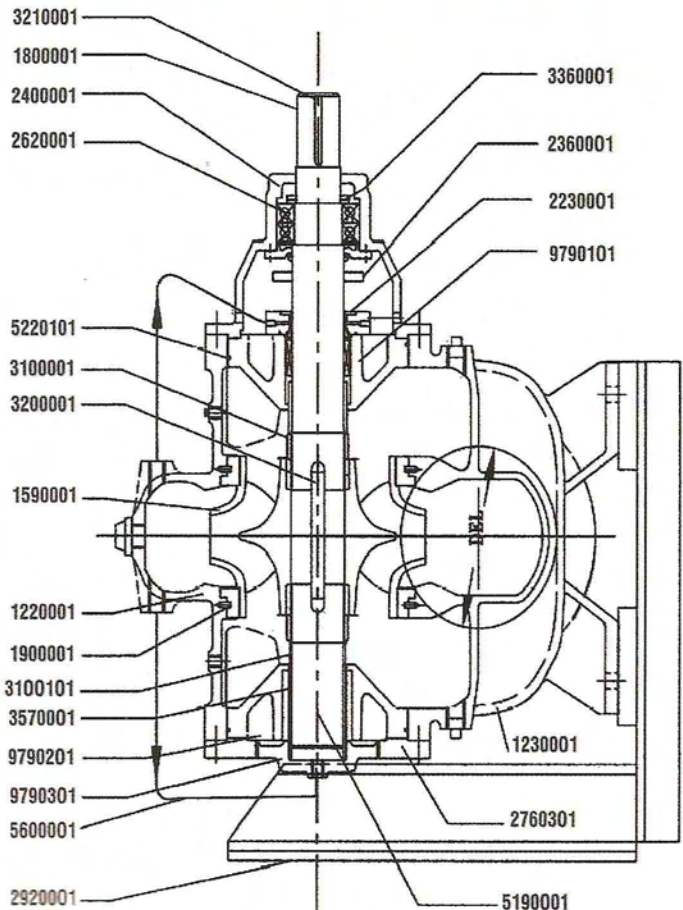
VERTICAL EXECUTION

Vertical Execution	
PART No	PART DESCRIPTION
1220001	UPPER HALF CASING
1230001	LOWER HALF CASING
1590001	IMPELLER
1800001	PUMP SHAFT
1900001	CASING WEAR RING
2230001	MECHANICAL SEAL

新法機械有限公司
NEW WAY ENGINEERING CO., LTD.

香港九龍新蒲崗六合街8號六合工業大廈22字樓F座
FLAT F, 22/F, LUK HOP INDUSTRIAL BUILDING,
8 LUK HOP STREET, SAN PO KONG, KOWLOON, H.K.
Tel : 2325 6892, 2325 7196 Fax No.: (852) 2322 1768
E-mail : info@newway.com.hk

3200001	IMPELLER KEY
3210001	KEY/COUPLING
3360001	BRG LOCK NUT
3570001	THORDON BEARING
5190001	GASKET
5220101	"O" RING
5600001	SEALING PIPING
9790101	INSERT D.E.
9790201	INSERT N.D.E.
9790301	INSERT COVER-NDE

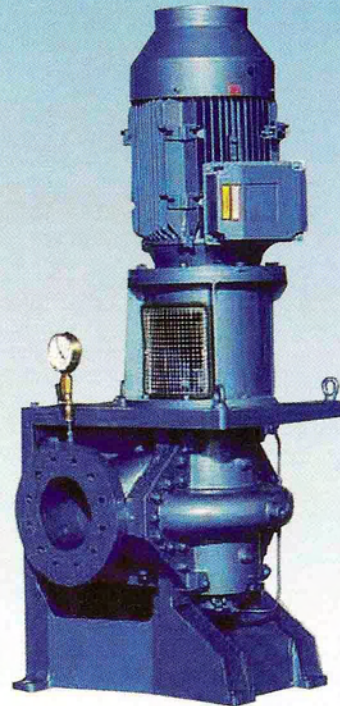
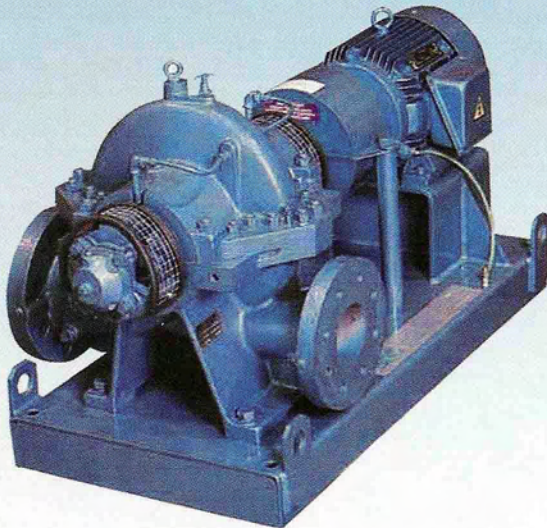


DIRECTION OF ROTATION :- CLOCKWISE FROM TOP

Materials of Construction

Casing half upper	CI	CI/Bronze	CI/SGI	CI/SGI	CI/SGI	Cast Steel	CI/SGI	CF 8M
Casing half lower	CI	CI/Bronze	CI/SGI	CI/SGI	CI/SGI	Cast Steel	CI/SGI	CF 8M
Impeller	CI/ACI	Bronze	Ph.Br.	CI	Cast Steel	Cast Steel	CF 8M	CF 8M
Casing Wear Ring	CI/ACI	Bronze	Ph.Br.	CI	St.St.	St.St.	CF 8M	CF 8M
Shaft	CS/St.St.	CS/St.St.	CS/St.St.	CS/St.St.	CS/St.St.	CS/St.St.	CS/St.St.	St.St.
Shaft Sleeve	Bronze	Bronze	Bronze	Bronze	St.St.	St.St.	St.St.	St.St.
Lantren Ring	CL/St.t.	Bronze	CI	CI	CS	CS	St.St.	St.St.
Gland	CI	CI/Bronze	CI	CI	CI	Cast Steel	CI	St.St.

Other materials are also available



Materials Standards

MATERIAL	EQUIVALENT INTERNATIONAL STANDARDS	
	BS	ASTM
Cast Iron (CI) S.G Iron (SGI)	B.S.E.N. 1561-EN-GJL 250 B.S. 2789 SNG 500/7	ASTM-A 48 CL 35 ASTM-A 536 60-40-18 & 65-45-12
Austenitic Cast Iron (ACI)	B.S. 3468 AUS 101 Gr.B	ASTM-A 436 Type 1
Carbon Steel (CS)	B.S. 970 080 M 40 B.S. 1632 Gr. b B.S. 970 316 S16	ASTM-A 107 Gr.1040 ASTM-A 351 Gr. CF8M ASTM-A 276 Type 316
Zinc Free Bronze (ZFB)	B.S. 970 304 S 15 B.S. 970 410 S 21	ASTM-A 276 Type 304 ASTM-A 276 Type 410
Cast Steel	B.S. 1504-101A	ASTM-B62, B145 Alloy 4A ASTM-A 21674 d Gr. WCB

新法機械有限公司

NEW WAY ENGINEERING CO., LTD.

香港九龍新蒲崗六合街8號六合工業大廈22字樓F座

FLAT F, 22/F, LUK HOP INDUSTRIAL BUILDING,

8 LUK HOP STREET, SAN PO KONG, KOWLOON, H.K.

Tel : 2325 6892, 2325 7196 Fax No.: (852) 2322 1768

E-mail : info@newway.com.hk

Zinc Free Bronze (ZFB)

Cast Steel

DRAKOS - POLEMIS PUMPS

PLANT & HEAD OFFICE

Krioneri, Attiki - P.O. Box 510 24, Kifissia, Greece 145 10

Tel.: +30 - 210 8161402, Fax: +30 210 - 210 8161262 - e-mail: sales@dppumps.gr

NORTHERN GREECE

Melenikou 5, Thessaloniki 542 48

Tel.: +30 - 2310 330066, Fax: +30 - 2310 317524 - e-mail: north@dppumps.gr

www.dppumps.gr