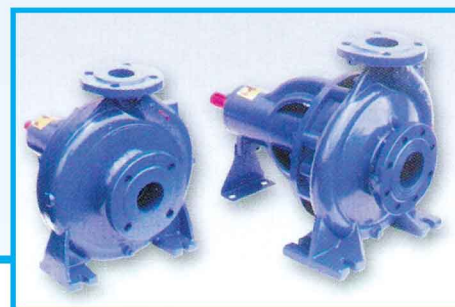


CENTRIFUGAL PUMPS FOR LOW AND MEDIUM PRESSURE

TYPE **LDP 3**
DIN 24255



新法機械有限公司
NEW WAY ENGINEERING CO., LTD.
香港九龍新蒲崗六合街8號六合工業大廈22字樓F座
FLAT F, 22/F., LUK HOP INDUSTRIAL BUILDING,
8 LUK HOP STREET, SAN PO KONG, KOWLOON, H.K.
Tel : 2325 6892, 2325 7196 Fax No.: (852) 2322 1768
E-mail : info@newway.com.hk



Applications

Pumping of clean or turbid liquids free from large solids such as water, fuels, oil brine, alkaline solutions and mild acids.

Water supply, booster pumping stations, air conditioning installations, irrigation, industrial and agricultural applications, public services etc.

Hydraulic data

- Capacity up to 550 m³/h
- Total head up to 150m
- Temperature up to 105° C
- Max. working pressure up to 16 bar

Design

Single-stage, end - suction volute design with vertically arranged radial discharge branch. Single entry, closed impeller. Heavy duty ball bearings with two seals, "oil lubricated", in sturdily constructed housing flanged to pump casing.

Maintenance is very easy, the impeller shaft and other rotating parts being removeable with no need to disconnect the suction or delivery pipes.

The use of an extension coupling enables a pump to be dismantled without removing either the driver or the pump casing.

Maximum interchangeability of components. Identical parts can be used with various sizes of pumps which greatly simplifies and reduces stock of spare parts.



DRAKOS - POLEMIS S.A.
PUMP MANUFACTURERS

Kryoneri - Athens - Greece

SPECIFICATIONS

Sealing arrangements

- Pumps are supplied as standard with a conventional packed gland
- Lantern ring for water sealing and packing lubrication
- For special purposes, mechanical seal and wearing rings can be used

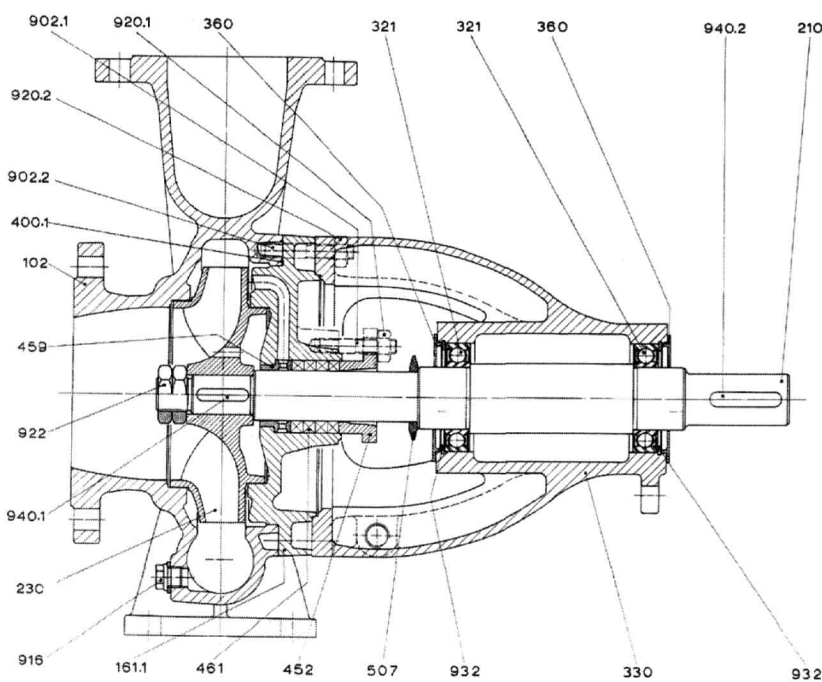
Materials Standard design

Casing	Cast iron
Impeller	Cast iron
Shaft	Steel

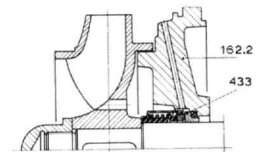
Special design

Casing	Bronze, Stainless steel
Impeller	Bronze, Stainless steel
Wearing rings	Bronze, Stainless steel
Shaft	Corrosion-resistant steel / Stainless steel

SECTIONAL VIEW



Form 0



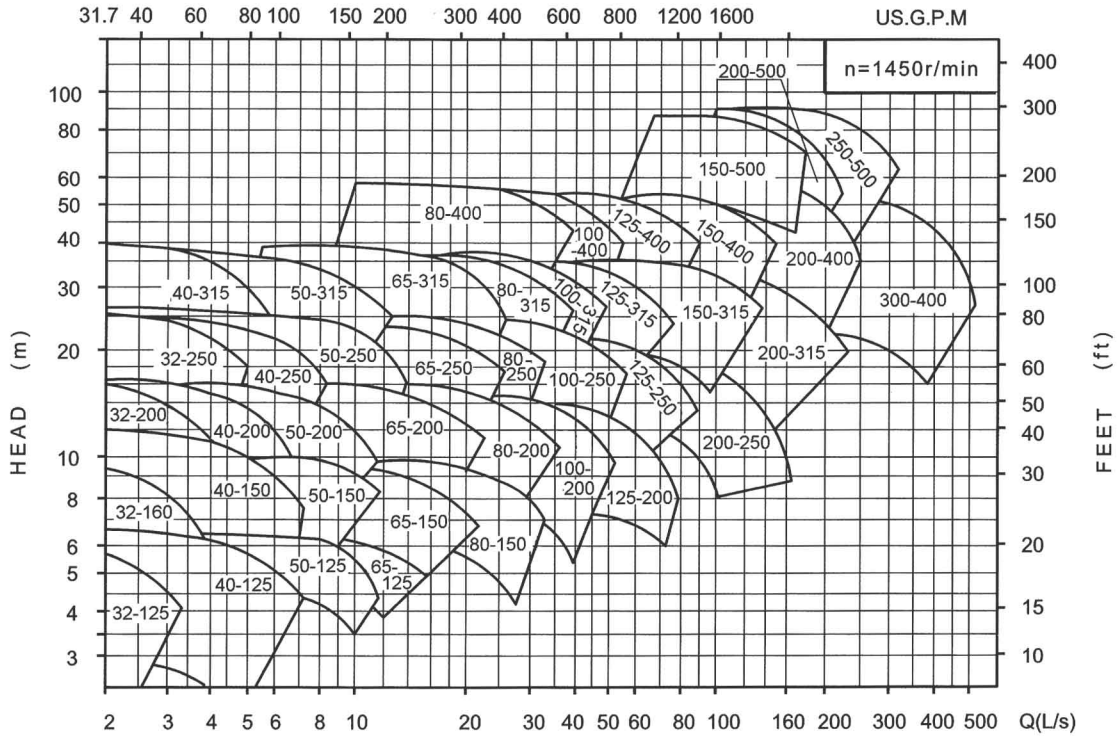
Form 1

Europump Number	Part Name	Europump Number	Part Name
102	Casing	459	Stuffing box bushing
161.1	Casing cover	461	Stuffing box packing
162.2	Casing cover for mechanical seal	507	Deflector
210	Shaft	902.1	Gland stud
230	Impeller	902.2	Stud for casing
321	Ball bearing	916	Drain plug
330	Bearing bracket	920.1	Gland stud nut
360	Bearing cover	920.2	Nut for casing
400.1	Gasket for casing cover	922	Impeller nut
433	Mechanical seal	940.1	Key for impeller
452	Stuffing box gland	940.2	Key for coupling

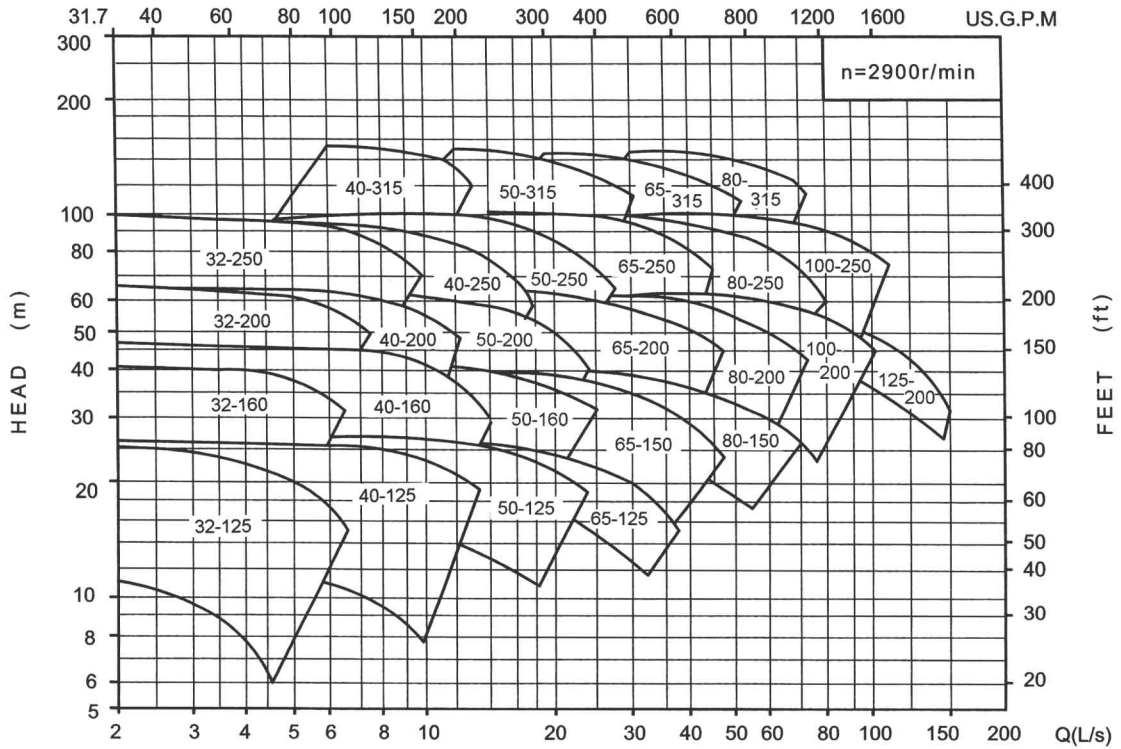


SELECTION CHART

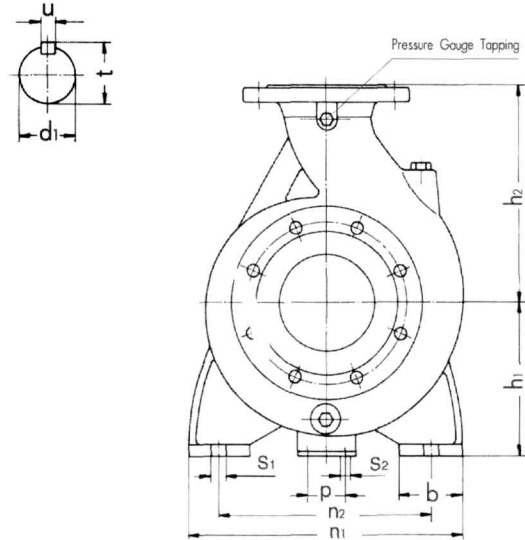
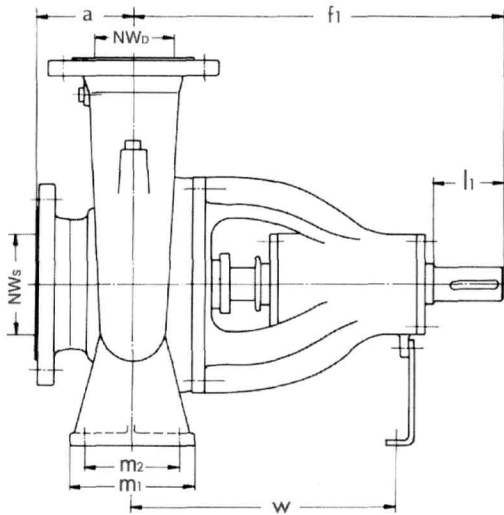
n=1450r/min



n=2900r/min



DIMENSIONS



SIZE	DIMENSIONS (in millimetres)																		
	SUC	DEL	Length		Height		Feet & Support				Mounting details				Shaft end				
	NWs	NWD	a	f1	h1	h2	b	m1	w	p	S2	m2	n1	n2	bolt size	d1	l1	t	u
32-125	50	32	80	360	112	140	50	100	267	100	14	70	190	140	M 12	24	50	27	8
32-160	50	32	80	360	132	160	50	100	267	100	14	70	240	190	M 12	24	50	27	8
32-200	50	32	80	360	160	180	50	100	267	110	14	70	240	190	M 12	24	50	27	8
32-250	50	32	100	360	180	225	65	125	267	110	14	95	320	250	M 12	24	50	27	8
40-125	65	40	80	360	112	140	50	100	267	100	14	70	210	160	M 12	24	50	27	8
40-160	65	40	80	360	132	160	50	100	267	100	14	70	240	190	M 12	24	50	27	8
40-200	65	40	100	360	160	180	50	100	267	110	14	70	265	212	M 12	24	50	27	8
40-250	65	40	100	360	180	225	65	125	267	110	14	95	320	250	M 12	24	50	27	8
40-315	65	40	125	470	200	225	65	125	342	110	14	95	345	280	M 12	32	80	35	10
50-125	65	50	100	360	132	160	50	100	267	100	14	70	240	190	M 12	24	50	27	8
50-160	65	50	100	360	160	180	50	100	267	110	14	70	265	212	M 12	24	50	27	8
50-200	65	50	100	360	160	200	50	100	267	110	14	70	265	212	M 12	24	50	27	8
50-250	65	50	100	360	180	225	65	125	267	110	14	95	320	250	M 12	24	50	27	8
50-315	65	50	125	470	225	280	65	125	342	110	14	95	345	280	M 12	32	80	35	10
65-125	80	65	100	360	160	180	65	125	267	110	14	95	280	212	M 12	24	50	27	8
65-160	80	65	100	360	160	200	65	125	267	110	14	95	280	212	M 12	24	50	27	8
65-200	80	65	100	360	180	225	65	125	267	110	14	95	320	250	M 12	24	50	27	8
65-250	80	65	100	470	200	250	80	160	342	110	14	120	360	280	M 16	32	80	35	10
65-315	80	65	125	470	225	280	80	160	342	110	14	120	400	315	M 16	32	80	35	10
80-160	100	80	125	360	180	225	65	125	267	110	14	95	320	250	M 12	24	50	27	8
80-200	100	80	125	470	180	250	65	125	342	110	14	95	345	280	M 12	32	80	35	10
80-250	100	80	125	470	200	280	80	160	342	110	14	120	400	315	M 16	32	80	35	10
80-315	100	80	125	470	250	315	80	160	342	110	14	120	400	315	M 16	32	80	35	10
80-400	100	80	125	532	280	355	85	160	368	110	14	120	440	340	M 16	42	110	45	12
100-200	125	100	125	470	200	280	80	160	342	110	14	120	360	280	M 16	32	80	35	10
100-250	125	100	140	470	225	280	80	160	342	110	14	120	400	315	M 16	32	80	35	10
100-315	125	100	140	470	250	315	80	160	342	110	14	120	400	315	M 16	32	80	35	10
100-400	125	100	140	530	280	355	100	200	360	110	14	150	500	400	M 20	42	110	45	12
125-200	150	125	140	470	250	315	80	160	342	110	14	120	400	315	M 16	32	80	35	10
125-250	150	125	140	470	250	355	80	160	342	110	14	120	400	315	M 16	32	80	35	10
125-315	150	125	140	530	280	355	100	200	370	110	14	150	500	400	M 20	42	110	45	12
123-400	150	125	140	530	315	400	100	200	370	110	14	150	500	400	M 20	42	110	45	12
123-500	150	125	180	680	375	500	100	200	500	140	14	150	550	450	M 20	55	110	59	16
150-200	200	150	160	495	280	400	100	200	367	110	14	150	550	400	M 20	32	80	35	10
150-250	200	150	160	530	250	355	100	200	370	110	14	150	450	350	M 20	42	110	45	12
150-315	200	150	160	530	280	400	100	200	370	110	14	150	550	450	M 20	42	110	45	12
150-400	200	150	160	530	315	450	100	200	370	110	14	150	550	450	M 20	42	110	45	12
150-500	200	150	180	670	375	500	100	200	500	140	15	150	550	450	M 20	55	110	59	16
200-250	250	200	180	546	280	400	100	200	389	110	15	150	550	450	M 20	42	110	45	12
200-315	250	200	200	670	355	450	100	200	500	110	15	150	550	450	M 20	48	110	52	14
200-400	250	200	200	670	355	500	100	200	500	110	15	150	550	450	M 20	48	110	52	14
200-500	250	200	240	783	425	545	160	300	534	140	23	240	720	600	M 20	70	140	75	20
250-500	300	250	240	783	425	545	160	300	534	140	23	240	720	600	M 20	70	140	75	20
300-400	350	300	280	783	500	600	150	300	550	140	23	200	800	660	M 20	70	140	74.5	20

- Pump sizes 32-250, 40-315, 50-315, 65-400, 80-400, 100-160, 125-200, 150-200 and 150-250 are not provided for by the DIN Standards.
 ① Back pull-out distance required between motor shaft end and pump shaft.



DRAKOS - POLEMIS S.A.
PUMP MANUFACTURERS
 Kryoneri - Athens - Greece
www.dppumps.gr

PLANT & HEAD OFFICE
 Kryoneri - Attiki
 Tel.: ++30 210 8161402 - Fax: ++30 210 8161262
 Post Address: P.O. Box 51 024,
 GR-145 10 Kifissia, Greece
 e-mail: dppumps@sparknet.gr

NORTHERN GREECE BRANCH OFFICE
 Melenicou 5, GR-54 248
 Thes/niki, Greece
 Tel.: ++30 2310 330066
 Fax: ++30 2310 317524
 e-mail: dpnorth@otenet.gr