



Filternox® BMF and BMF-TW models are manufactured to meet the capacity, fluid type, temperature, pressure and micron rating requirements of specific installations and provide prefiltration as well as final filtration.

Filternox® BMF and BMF-TW models are range from 2000 cm² to 22600 cm² filtration surface area and 3" to 24" inlet-outlet connections

Filternox® BMF-TW models provide uninterrupted filtration in the one duty, one stand-by mode.

新法機械有限公司
NEW WAY ENGINEERING CO., LTD.
 香港九龍新蒲崗六合街8號六合工業大廈22字樓F座
 FLAT F, 22/F., LUK HOP INDUSTRIAL BUILDING,
 8 LUK HOP STREET, SAN PO KONG, KOWLOON, H.K.
 Tel : 2325 6892, 2325 7196 Fax No.: (852) 2322 1768
 E-mail : info@newway.com.hk



Application Areas:

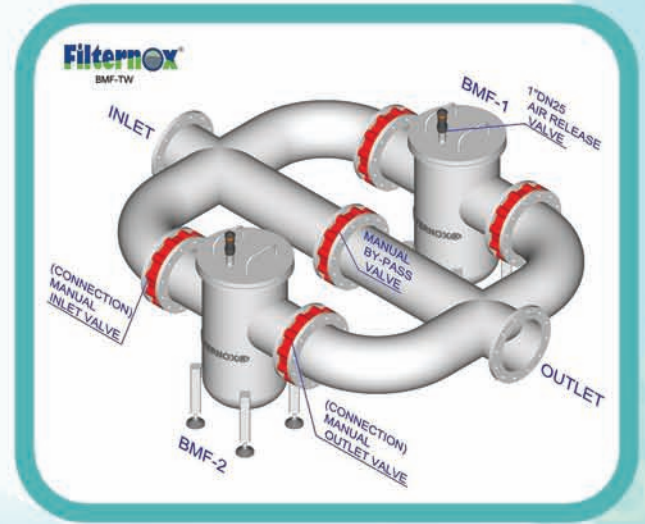
- Prefiltration
- Sediment filtration
- Sea water filtration
- Protection for pumps
- Demineralization units
- Hospitals
- Golf courses
- Irrigation systems
- Food industry
- Pharmaceutical industry
- Plastic industry
- Cosmetics industry
- Power Plants
- Heat exchangers

Special Features:

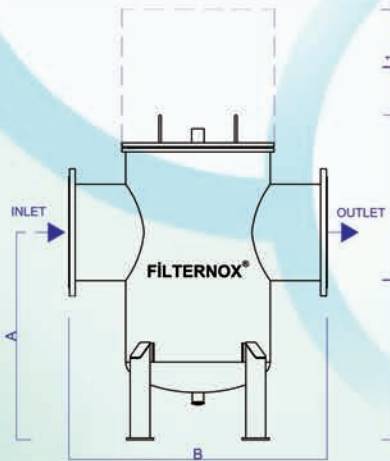
- Easy opening and closing cover
- Manufactured for PN6, PN10, and PN16 pressure standards
- Easily removable screen
- Production from 15 micron to 6000 micron according to request
- When required, possibility of semiautomatic ΔP and/or timer alarm
- With TWIN Model option, totally skid mounted delivery option
- TWIN Model including stand-by unit

General Technical Specifications:

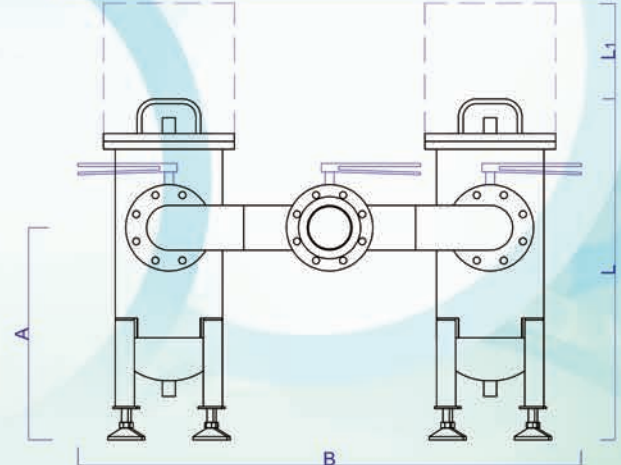
- Body Material : Carbon steel + sandblasted epoxy painted
Carbon steel + rubber coated
AISI 304 L
AISI 316 L
- Screen Material : AISI 316 L
- Max. Operating Pressure : 10 bar (6-16-25 bar optional)
- Max. Operating Temperature : 60 °C (90 °C optional)



BMF



BMF-TW



Standard BMF Models

MODEL	CONNECTION	DIAMETERS INLET/OUTLET		SURFACE AREA (cm²)	A (mm)	B (mm)	L (mm)	L1 (mm)
		(inch)	(DN)					
BMF 110103	THREADED	3"	80	2000	540	415	870	490
BMF 110104	FLANGED	4"	100	2000	540	545	870	490
BMF 112106	FLANGED	6"	150	2500	610	650	940	575
BMF 114108	FLANGED	8"	200	3350	645	710	1000	605
BMF 116110	FLANGED	10"	250	4300	675	810	1065	655
BMF 118112	FLANGED	12"	300	6200	795	915	1210	780
BMF 120114	FLANGED	14"	350	7500	820	1015	1260	815
BMF 124116	FLANGED	16"	400	10000	955	1220	1425	1000
BMF 128118	FLANGED	18"	450	12600	965	1420	1490	1055
BMF 130120	FLANGED	20"	500	15600	1040	1525	1590	1155
BMF 134124	FLANGED	24"	600	22600	1230	1625	1830	1370

Standard BMF-TW Models

MODEL	CONNECTION	DIAMETERS INLET/OUTLET		SURFACE AREA (cm²)	A (mm)	B (mm)	L (mm)	L1 (mm)
		(inch)	(DN)					
BMF-TW 110103	THREADED	3"	80	2x2000	540	1350	870	490
BMF-TW 110104	FLANGED	4"	100	2x2000	540	1430	870	490
BMF-TW 112106	FLANGED	6"	150	2x2500	610	1720	940	575
BMF-TW 114108	FLANGED	8"	200	2x3350	645	2000	1000	605
BMF-TW 116110	FLANGED	10"	250	2x4300	675	2300	1065	655
BMF-TW 118112	FLANGED	12"	300	2x6200	795	2380	1210	780
BMF-TW 120114	FLANGED	14"	350	2x7500	820	2270	1260	815
BMF-TW 124116	FLANGED	16"	400	2x10000	955	2495	1425	1000
BMF-TW 128118	FLANGED	18"	450	2x12600	965	2800	1490	1055
BMF-TW 130120	FLANGED	20"	500	2x15600	1040	3060	1590	1155
BMF-TW 134124	FLANGED	24"	600	2x22600	1230	3610	1830	1370

Antel-Filternox®, reserves the rights to modify any of the technical information in this document without prior notification.