

Réservoirs *hydrauliques* Hydraulic vessels



新法機械有限公司

NEW WAY ENGINEERING CO., LTD.

香港九龍新蒲崗六合街8號六合工業大廈22字樓F座

FLAT F, 22/F, LUK HOP INDUSTRIAL BUILDING,

8 LUK HOP STREET, SAN PO KONG, KOWLOON, H.K.

Tel : 2325 6892, 2325 7196

Fax No.: (852) 2322 1768

E-mail : info@newway.com.hk

CHARLATTE
r é s e r v o i r s
FAYAT GROUP

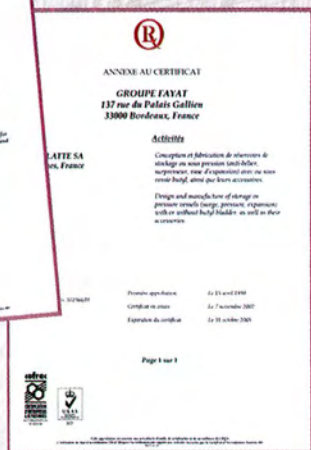
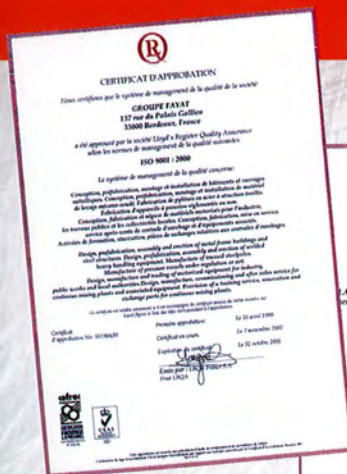


Depuis plus de 40 ans, CHARLATTE est le leader mondial des réservoirs hydropneumatiques.

Cette spécificité est devenue aujourd'hui un terme générique. Ne dit-on pas : "Un CHARLATTE". L'essentiel de la production se compose de réservoirs sous pression avec et sans vessie pour eau potable, eau brute, eaux usées, l'irrigation. L'entreprise propose également la conception de réservoirs spéciaux avec ou sans vessie pour toutes commandes spécifiques. CHARLATTE est présent à l'exportation dans plus de 80 pays sur les 5 continents, elle représente plus de 50 % de Chiffre d'affaire. Un service après-vente performant et l'intervention sur site par des techniciens spécialisés complètent la large gamme des produits et des prestations proposés.

Leader depuis 40 ans

Leader since 40 years



For over 40 years, CHARLATTE has been the world leader in hydropneumatic vessels. This technique has today become a generic term : "a CHARLATTE". The major part of the manufacture is comprised of pressure vessels with and without bladder for drinking water, raw water, waste water and irrigation. We can also design special vessels for specific orders. CHARLATTE is present in over 80 countries and five continents, export represents over 50% of sales. An experienced after sales service and on site assistance from technicians completes our large range of products and expertise.

Savoir faire

Knowhow experience

Des domaines diversifiés

Nos ingénieurs hydrauliciens équipés de logiciels de calcul performants, mettent à la disposition de notre clientèle les services du Bureau d'études pour définir les solutions à mettre en place afin de protéger et sécuriser un réseau ou une conduite de refoulement.

Un parfait dimensionnement des réservoirs est nécessaire pour un excellent fonctionnement. La société CHARLATTE maîtrise ses produits dès leur conception et offre à ses clients un travail de spécialistes.

Diverse applications

Our hydraulic engineers equipped with advanced calculation software, offer our clients the adapted solutions to protect their systems and pipework.

An optimised dimensioning of the required protection is necessary to ensure optimal operation. CHARLATTE controls its products from conception and offers its clients specialised solutions.





RÉSERVOIRS

SURPRESSEURS D'EAU

ANTIBÉLIERS

VASES D'EXPANSION

HYDROÉMULSEURS

VESSELS

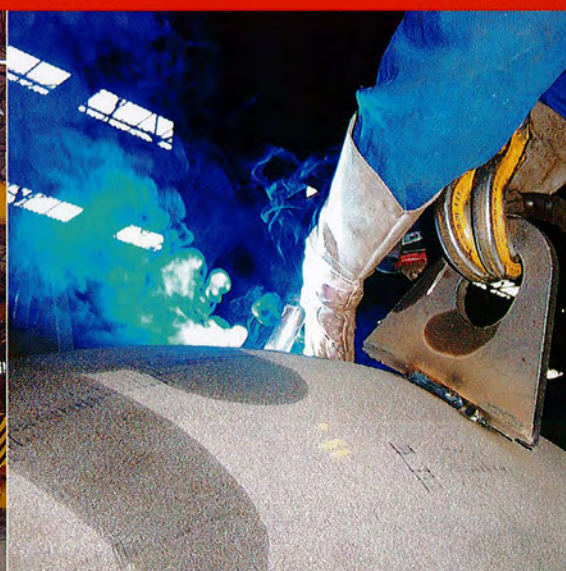
PRESSURE REGULATION
VESSELS

SURGE VESSELS

EXPANSION VESSELS

HYDRO-EMULSIFIERS

Une recherche permanente
Continual development



CHARLATTE
réservoirs
FAYAT GROUP

Technologie *conception*

Technology design

Des techniques de pointe

Les moyens de production et de manutention de la société CHARLATTE permettent de réaliser des réservoirs de capacité supérieure à 100 m³ d'un poids maximum de 63 tonnes.

La parfaite connaissance des différents codes de construction répond aux nouvelles normes d'aptitude au contrat avec l'eau potable :

- Certification NSF (USA) pour la potabilité
- Agrément ASME U&UM
- Certification ISO 9001 version 2000

Tous les éléments risquant d'être au contact avec l'eau ont les agréments de potabilité (peinture, rilsan, vessie en Butyl).

Advanced technology

CHARLATTE's production and handling capacity allows the manufacture of vessels of over 100 m³ and a maximum weight of 63 tons.

Our aquired knowledge of different manufacturing codes covers the new standards required for potable water :

- *NSF certification (USA) for potable water*
- *ASME U and UM approval*
- *ISO 9001 version 2000 certification*

All elements in our vessels that risk contact with water are certified potable (paint, rilsan, Butyl bladder).





RÉSERVOIRS

SURPRESSEURS D'EAU

ANTIBÉLIERS

VASES D'EXPANSION

HYDROÉMULSEURS

VESSELS

PRESSURE REGULATION
VESSELS

SURGE VESSELS

EXPANSION VESSELS

HYDRO-EMULSIFIERS



Un service après-vente performant
An efficient after sales service



CHARLATTE
réservoirs
FAYAT GROUP

Service Qualité
Quality control department

+ 33 / 03 86 92 30 04

Service Contrôle
Control / Testing

+ 33 / 03 86 92 30 04

Commercial
Sales

+ 33 / 03 86 92 30 12/14

CHARLATTE
réservoirs
FAYAT GROUP

Siège social et usine

17, rue Paul-Bert - 89400 Migennes - France

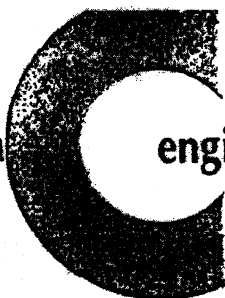
Tél. : +33(0) 86 92 30 00 - fax : +33(0) 86 92 30 01 - e-mail : reservoir@charlattereservoirs.fayat.com

SOCIÉTÉ ANONYME AU CAPITAL DE 3 500 000 EUROS

RC JOIGNY B 478041072 - SIREN 47804107200016 - APE 282 C

Charlatte

INGENERIE
CONSTRUCTION



s a engineering équipements mécanique tôlerie

- EXPORT DEPARTMENT -

TECHNICAL SPECIFICATION

Please find following our confirmation on the following items:

1/ Shell

Capacity : 25 Litres
Service Pressure : 16, ~~19~~ and ~~25~~ bar
Material : Mild Steel

2/ Finishes and

Outside: One coat "glycerophtallic" CGA 96048 dark red from DUCO
Thickness 30 microns DFT

Inside: One coat "corsoplast" from CORSOLAC INDUSTRIE - 1 part paint
Thickness 30 microns DFT (Brethane - acrylique based point).

Is an anti corrosive painting, foodstuff quality approved for potable water

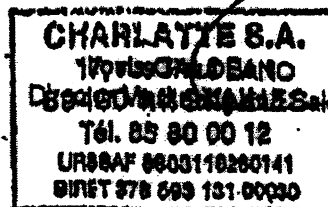
3/ Bladder

Material : Butyl rubber (foodstuff quality approved for potable water)
Thickness (mm) : 1.5 mm

4/ Standard of manufacture:

Charlatte S.A. certifies that all Charlatte vessels are constructed under the French manufacturing code CODAP 95. Comparing vessel design from CODAP 95 with requirements of British Standard BS 5500 in all cases the thickness and qualities of the metal and reinforcements meet or exceed those required by BS 5500.

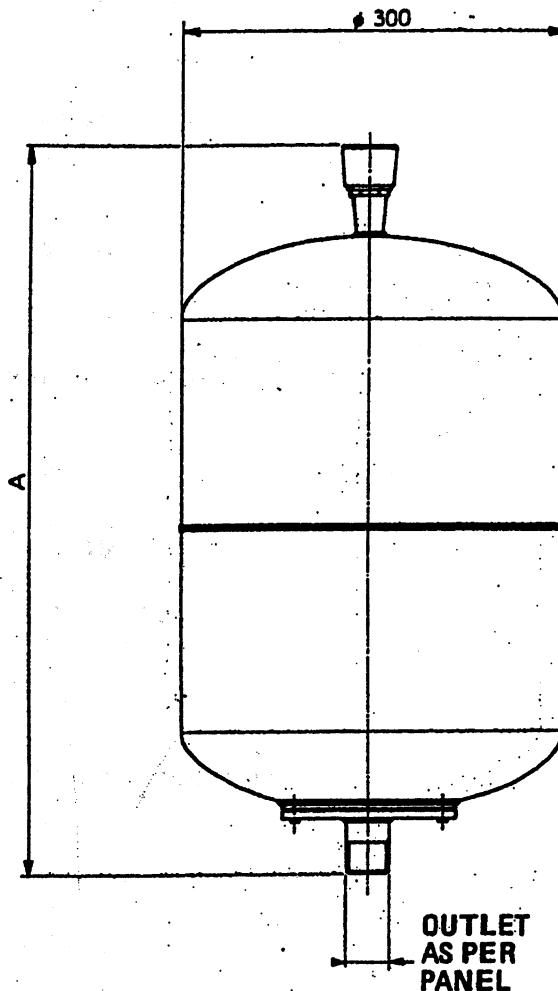
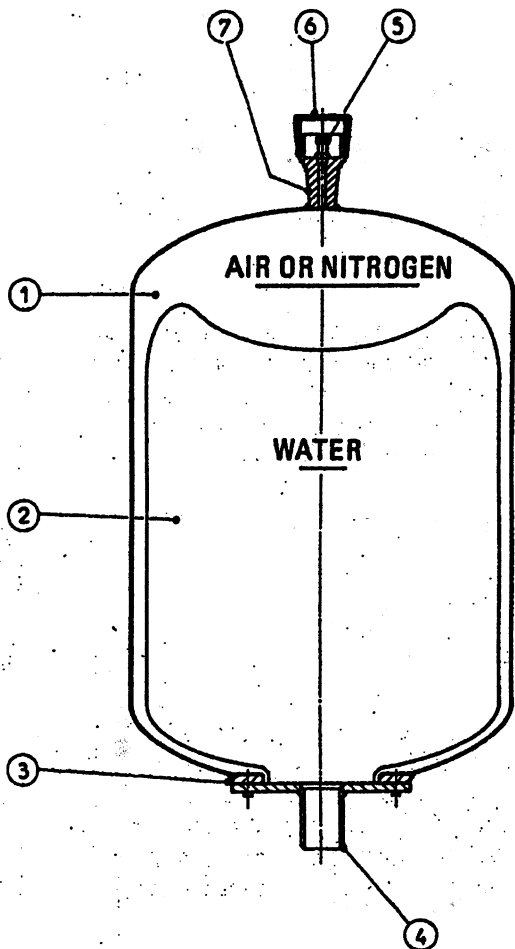
Made in Migennes on 5 September 1995





ANTI-WATER HAMMER - HYDROCHOC

(France)



- 1 Welded steel plate tank
- 2 Interchangeable bladder (Butyl)
- 3 Inspection hole
- 4 Male thread standard, outlet 26 x 34 (gaz) - Option : 40 x 49, 50 x 60 or 50, with flange PN 16.
- 5 Inflator valve
- 6 Valve protection cap
- 7 Valve protection

CAPACITY	Ref.	Service Pressure	Test Pressure	WEIGHT
25 litres	2467 16.	16	24	12 kg
	2467 19.	19	28.5	

* 25 litres capacity with 25 Bars service pressure is available on request.

OUTLET	REFERENCE	A
26 x 34 (1")	253025 SIB	570
40 x 49 (1 1/2")	253040 SIB	580
50 X 60 (2")	253050 SIB	615
DN 50 Flanged	253050 SIB + 2689 BV	635

* Stainless steel 316 outlet are available, suitable for flush water application.

These dimensions can be modified by the manufacturer without previous notice.

1/01/84

25 litres

ANTI-WATER HAMMER - HYDROCHOC
SERVICE AND TEST PRESSURE : SEE ABOVE PANEL

Charlatte s a

INGENERIE
CONSTRUCTION



engineering équipements mécanique tôleri

- EXPORT DEPARTMENT -

TECHNICAL SPECIFICATION

Please find following our confirmation on the following items:

1/ Shell

Capacity : 18 Litres
Service Pressure : 16 bar
Material : Mild Steel

2/ Finishes

Outside: One coat "glycerophtallic" CGA 96048 dark red from DUCO
Thickness 30 microns DFT

Inside: One coat "corsoplast" from CORSOLAC INDUSTRIE - 1 part paint
Thickness 30 microns DFT (Brethane - acrylique based point).

Is an anti corrosive painting, foodstuff quality approved for potable water

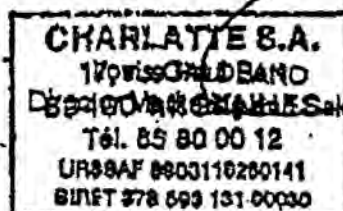
3/ Bladder

Material : Butyl rubber (foodstuff quality approved for potable water)
Thickness (mm) : 1.5 mm

4/ Standard of manufacture:

Charlatte S.A. certifies that all Charlatte vessels are constructed under the French manufacturing code CODAP 95. Comparing vessel design from CODAP 95 with requirements of British Standard BS 55 in all cases the thickness and qualities of the metal and reinforcements meet or exceed those required BS 5500.

Made in Migennes on 5 September 1995

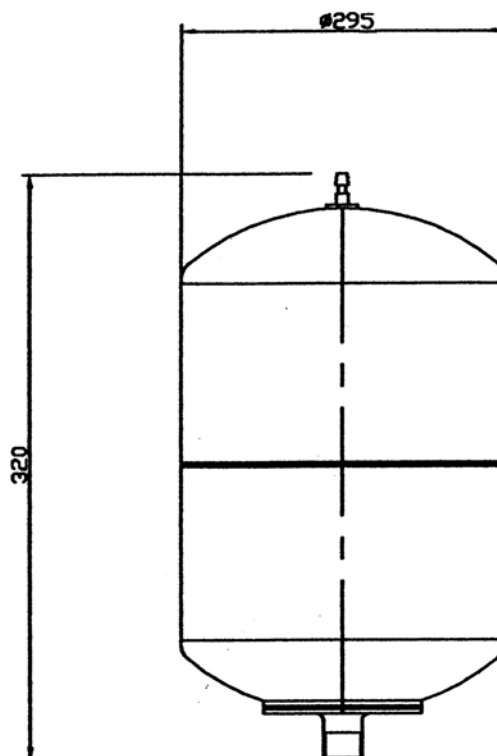
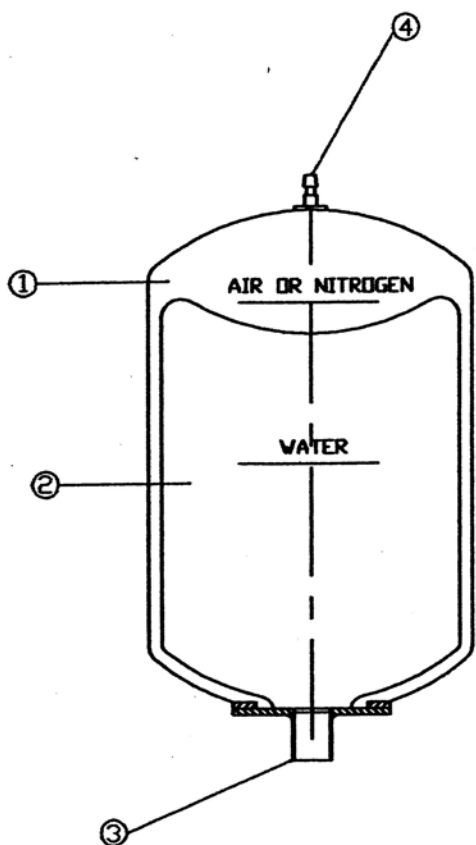




ANTI-WATER HAMMER-HYDROCHOC

Charlatte sa

(France)



1. WELDED STEEL PLATE TANK
2. RUBBER BLADDER (BUTYL)
3. STANDARD OUTLET 3/4" (MALE THREAD)
4. INFLATER VALVE

CAPACITY	REF.	SERVICE PRESSURE	TEST PRESSURE	WEIGHT
18 LITRE	237718	16	24	7.5KG

OUTLET	DEMENSION	OUTLET MATERIAL
3/4"	Ø295 X 320	S.S.316

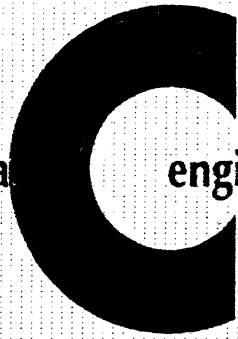
These dimensions can be modified by the manufacturer without previous notice

18 LITRE

ANTI-WATER HAMMER-HYDROCHOC

Charlatte

s a



engineering équipements mécanique tôlerie

INGENERIE
CONSTRUCTION

- EXPORT DEPARTMENT -

TECHNICAL SPECIFICATION

Please find following our confirmation on the following items:

1/ Shell

Capacity : 8 Litres
Service Pressure : 16 bar
Material : Mild Steel

2/ Finishes

Outside: One coat "glycerophtallic" CGA 96048 from DUCO
Thickness 30 microns DFT

Inside: One coat "corsoplast" from CORSOLAC INDUSTRIE - 1 part paint
Thickness 30 microns DFT (Brethane - acrylique based point).

Is an anti corrosive painting, foodstuff quality approved for potable water.

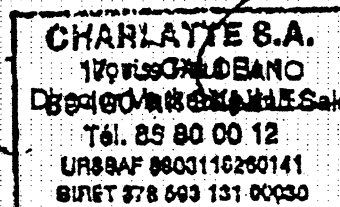
3/ Bladder

Material : Butyl rubber (foodstuff quality approved for potable water)
Thickness (mm) : 1.5 mm

4/ Standard of manufacture:

Charlatte S.A. certifies that all Charlatte vessels are constructed under the French manufacturing code CODAP 95. Comparing vessel design from CODAP 95 with requirements of British Standard BS 5500, in all cases the thickness and qualities of the metal and reinforcements meet or exceed those required by BS 5500.

Made in Migennes on 5 September 1995



usine et bureaux : 17, rue paul bert 89400 migennes b.p. 29 tél. 86.80.00.12 télex 800.160 france

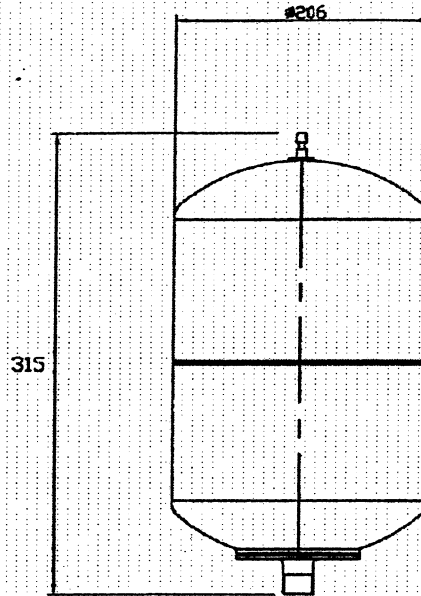
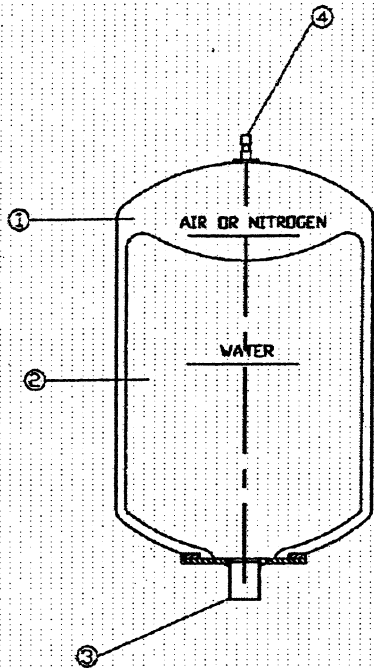
société anonyme au capital de 5 208 000 francs r.c. migenny 506 150 226 b. TÉLÉCOPIEUR 86 92 62 49 siren 506 150 226 0011 age 2408



ANTI-WATER HAMMER-HYDROCHOC

Charlatte sa

(France)



- 1. WELDED STEEL PLATE TANK
- 2. RUBBER BLADDER (BUTYL)
- 3. STANDARD OUTLET 3/4" (MALE THREAD)
- 4. INFLATER VALVE

CAPACITY	REF.	SERVICE PRESSURE	TEST PRESSURE	WEIGHT
8 LITRE	237616	16	24	4.4KG

OUTLET	DEMENSION	OUTLET MATERIAL
3/4"	ø206 X 315	S.S.316

These dimensions can be modified by the manufacturer without previous notice

8 LITRE

ANTI-WATER HAMMER-HYDROCHOC