



Submersible Pumps for Sewage and Wastewater

SU Type

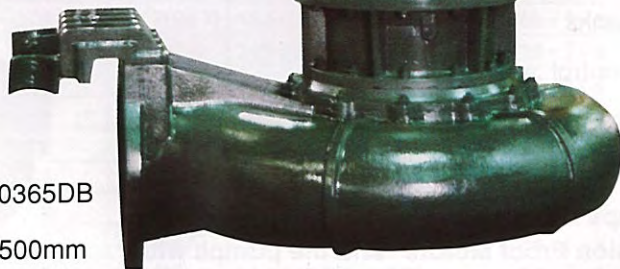
Discharge : 50 to 700mm
Motor Capacity: 0.75 to 370kW



新法機械有限公司
NEW WAY ENGINEERING CO., LTD.
香港九龍新蒲崗六合街8號六合工業大廈22字樓F座
FLAT F, 22/F., LUK HOP INDUSTRIAL BUILDING,
8 LUK HOP STREET, SAN PO KONG, KOWLOON, H.K.
Tel : 2325 6892, 2325 7196 Fax No.: (852) 2322 1768
E-mail : info@newway.com.hk

Model SU-50365DB

Discharge: 500mm
Motor : 275kW



E.I.M. ELECTRIC CO.,LTD.

- Free-Standing Type SU-□E
- Discharge Elbow Assembly Type SU-□B
- Automatic Operation Type SU-□W

Optimum for Sewage, Wastewater and Process Dewatering applications for Municipalities and Industries.

Series "SU" Models are specially designed for compact, lightweight yet heavy duty construction and reliable operation with all models having the following advantages.

FEATURES

- Non-Choking
: Non-clogging Impeller provides wider passage space which can cope with solid handling without a choking problem.
- Low Installation Cost
: Reduced installation costs because no special pump housing and piping are required. Space saving and quiet operation because pumps run completely submerged.
- Reliable Seals
: Combination of Double Mechanical Seals and Oil Seals give anti-abrasion and anti-corrosion features.
- Easy Maintenance
: Pumps come complete with Discharge Elbow Assembly which cuts maintenance costs.

APPLICATIONS

- Sewage Pumping Pits and Stations
 - Sewage Treatment Plants
 - Waste Effluent Pumping Stations
 - Septic Tanks
 - Flood Control and Emergency
 - Drainage of Waste Disposal and others
- ★ All pumps will be available also with "Explosion Proof Motors" and the pumps with special design beyond of our standard specifications will also be available upon your request, please consult us.



SU5-85E

SPECIFICATIONS

Discharge : 50 to 200mm

The Submersible Pumps, out of the following standard specifications, are also available, as special, on request.

Model		Discharge mm	Motor		Rating		Solids Handling mm	Power Cable mm ² ×core×length(mm)	Weight kg
Free Standing	Discharge Elbow Assembly		Output kW (HP)	Number of Poles	Head m (ft)	Capacity m ³ /min (ℓ/s)			
SU2-51E	SU2-51B1	50 (65)*	0.75 (1)	4	8 (26.3)	0.21 (3.5)	20	1.25 × 4 × 6	37
SU5-82E	SU5-82B	80 (65, 100)*	1.5 (2)	4	8 (26.3)	0.55 (9.2)	20	2.0 × 4 × 8	65
SU5-83E	SU5-83B		2.2 (3)	4	10 (32.8)	0.6 (10)	22	2.0 × 4 × 8	67
SU5-85E	SU5-85B		3.7 (5)	4	10 (32.8)	1.0 (16.7)	29	2.0 × 4 × 8	84
SU5-88E	SU5-88B	80 (65)*	5.5 (7 1/2)	4	20 (65.6)	0.6 (10)	29	3.5 × 4 × 8	120
SU5-810E	SU5-810B		7.5 (10)	4	25 (82)	0.6 (10)	29	5.5 × 4 × 8	140
SU5-815ED	SU5-815DB		11 (15)	4	25 (82)	1.0 (16.7)	29	5.5 × 3/4 × 8	170
SU5-820ED	SU5-820DB		15 (20)	4	30 (98.4)	1.2 (20)	29	14 × 3/4 × 8	230
SU5-108E	SU5-108B	100	5.5 (7 1/2)	4	10 (32.8)	1.5 (25)	34	3.5 × 4 × 8	120
SU5-1010E	SU5-1010B		7.5 (10)	4	15 (49.2)	1.5 (25)	34	5.5 × 4 × 8	140
SU5-158E	SU5-158BH	150	5.5 (7 1/2)	4	6 (19.7)	2.0 (33.3)	55	3.5 × 4 × 8	130
SU5-1510E	SU5-1510BH		7.5 (10)	4	10 (32.8)	2.5 (41.7)	60	5.5 × 4 × 8	150
SU5-1515ED	SU5-1515DBH		11 (15)	4	15 (49.2)	2.5 (41.7)	44	5.5 × 3/4 × 8	180
SU5-1520ED	SU5-1520DBH		15 (20)	4	15 (49.2)	3.0 (50)	44	14 × 3/4 × 8	240
SU5-1530ED	SU5-1530DB		22 (30)	4	20 (65.6)	3.0 (50)	35	14 × 3/4 × 8	430
SU5-2015ED	SU5-2015DBH	200	11 (15)	4	10 (32.8)	4.0 (66.7)	60	5.5 × 3/4 × 8	240
SU5-2020ED	SU5-2020DB		15 (20)	4	10 (32.8)	4.0 (66.7)	60	14 × 3/4 × 8	380
SU5-2030ED	SU5-2030DB		22 (30)	4	15 (49.2)	4.0 (66.7)	65	14 × 3/4 × 8	400
SU5-2040ED	SU5-2040DB		30 (40)	4	26 (85.3)	3.5 (58.3)	45	22 × 3/4 × 8	600
SU5-2050ED	SU5-2050DB		37 (50)	4	22 (72.2)	5.0 (83.3)	55	22 × 3/4 × 8	620
SU5-2060ED	SU5-2060DB		45 (60)	4	30 (98.4)	5.0 (83.3)	55	38 × 3/4 × 8	650

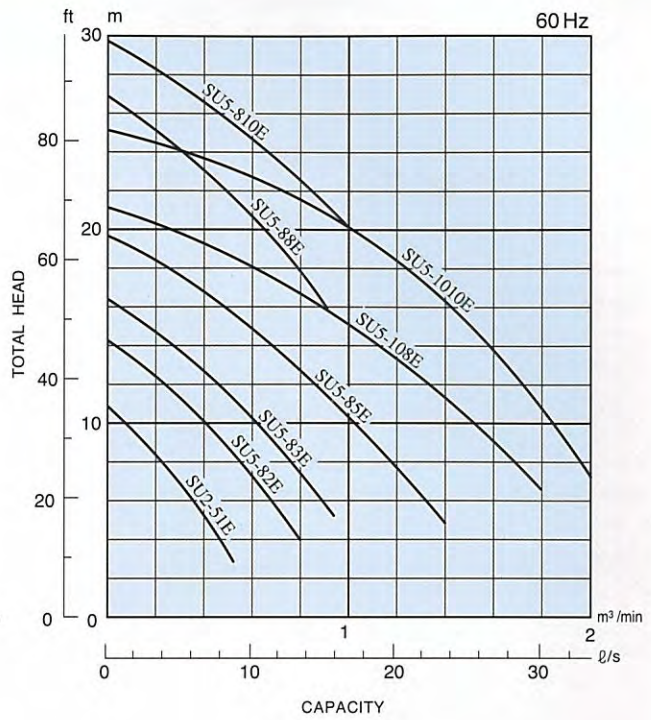
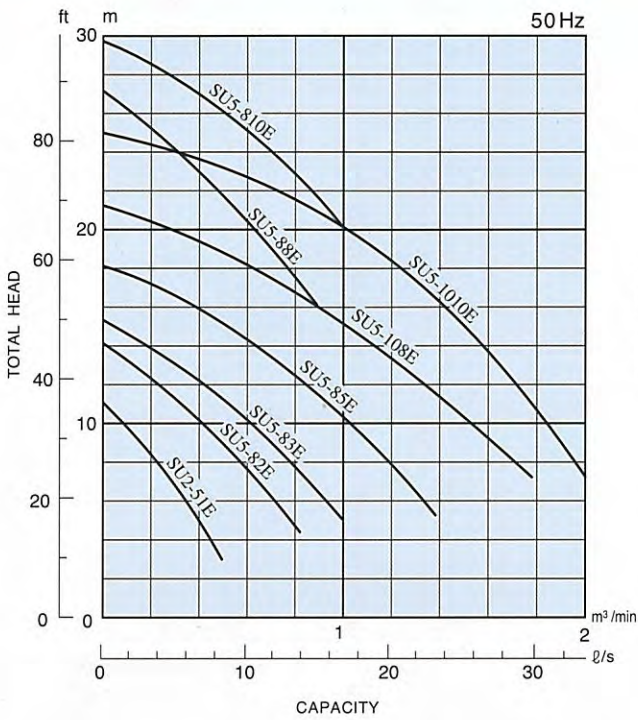
Discharge : 250 to 600mm

Model		Discharge mm	Motor		Rating		Solids Handling mm	Power Cable mm ² ×core×length(mm)	Weight kg
Free Standing	Discharge Elbow Assembly		Output kW (HP)	Number of Poles	Head m (ft)	Capacity m ³ /min (ℓ/s)			
SU5-2520ED	SU5-2520DB	250	15 (20)	6	4 (13.1)	10.0 (166.7)	75	14 × 3/4 × 8	500
SU5-2530ED	SU5-2530DB		22 (30)	4	13 (42.7)	6.0 (100)	75	14 × 3/4 × 8	550
SU5-2550ED	SU5-2550DB		37 (50)	6	17 (55.8)	8.5 (141.7)	75	38 × 3/4 × 8	850
SU5-2560ED	SU5-2560DB		45 (60)	4	27 (88.6)	6.0 (100)	75	38 × 3/4 × 8	800
SU5-25100ED	SU5-25100DB		75 (100)	4	28 (91.9)	8.0 (133.3)	75	38 × 3/4 × 8	1000
SU5-3020ED	SU5-3020DB	300	15 (20)	6	5 (16.4)	10.0 (166.7)	75	38 × 3/4 × 8	500
SU5-3030ED	SU5-3030DB		22 (30)	6	8 (26.3)	10.0 (166.7)	75	38 × 3/4 × 8	600
SU5-3050ED	SU5-3050DB		37 (50)	6	15 (49.2)	8.0 (133.3)	75	38 × 3/4 × 8	900
SU5-3060ED	SU5-3060DB		45 (60)	6	16 (52.5)	10.0 (166.7)	75	38 × 3/4 × 8	950
SU5-3075ED	SU5-3075DB		55 (75)	6	18 (59.1)	12.0 (200)	75	38 × 3/4 × 8	1000
SU5-30150ED	SU5-30150DB		110 (150)	4	38 (124.7)	11.5 (191.7)	75	50 × 3/4 × 8	1100
SU5-3550ED	SU5-3550DB	350	37 (50)	6	10 (32.8)	14.0 (233.3)	75	38 × 3/4 × 8	900
SU5-3575ED	SU5-3575DB		55 (75)	6	13 (42.7)	17.0 (283.3)	75	38 × 3/4 × 8	1050
SU-35100ED	SU-35100DB		75 (100)	6	17 (59.8)	18.0 (300)	75	38 × 3/4 × 8	1200
SU5-4050ED	SU5-4050DB	400	37 (50)	8	7.5 (24.6)	20.0 (333.3)	75	38 × 3/4 × 8	1000
SU5-4060ED	SU5-4060DB		45 (60)	6	9.5 (31.2)	18.0 (300)	75	38 × 3/4 × 8	1090
SU5-4075ED	SU5-4075DB		55 (75)	8	11 (36.1)	21.0 (350)	75	38 × 3/4 × 8	1200
SU-5075ED	SU-5075DB	500	55 (75)	8	7.5 (24.6)	30.0 (500)	100	38 × 3/4 × 8	1250
SU-50150ED	SU-50150DB		110 (150)	6	14 (46)	34.0 (566.7)	100	50 × 3/4 × 8	1300
SU-50185ED	SU-50185DB		140 (185)	6	15 (49.2)	36.0 (600)	100	50 × 3/4 × 8	2500
SU-50365ED	SU-50365DB		275 (365)	6	35 (114.8)	30.0 (500)	95	150 × 3/4 × 8	3800
SU-60220ED	SU-60220DB	600	160 (220)	8	11 (36.1)	60.0 (1000)	100	100 × 3/4 × 8	3380

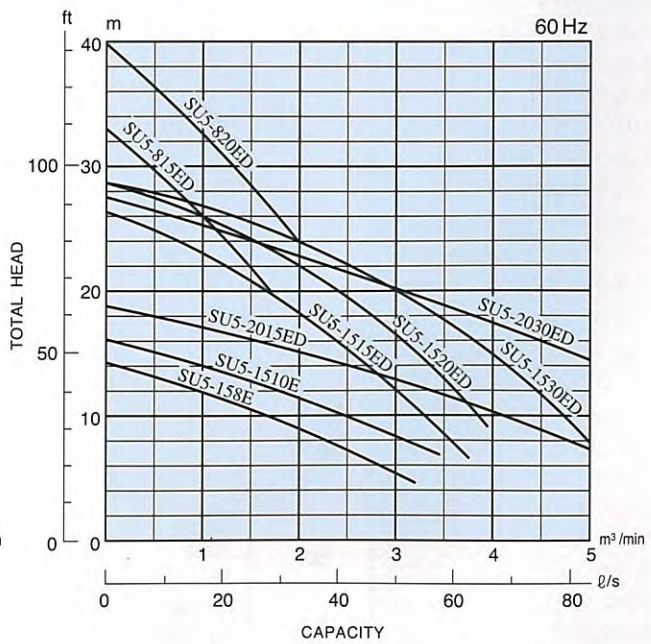
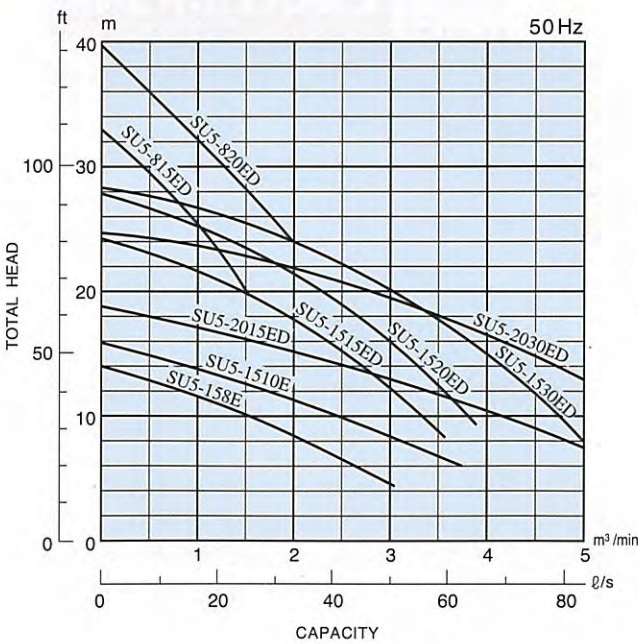
- [Notes] 1. Power supply : Voltage between 200V to 550V, 3-phase, 50Hz or 60Hz.
 2. Mark * : shows availability of discharge size, on request
 3. Automatic type of pumps, equipped with built-in automatic level control and two floats switches, are available for the pumps 3.7kW and below. (For model identification suffix "W" is put at the end of model name.)
 4. Power cable size in the table : Standard for 200V (55kW and below) or 400V (75kW and above)
 5. The model with strainer is available upon your request.
 6. Power cable : 2PNCT (except 1.25mm²)
 VCT (1.25mm² only)

PERFORMANCE CURVES

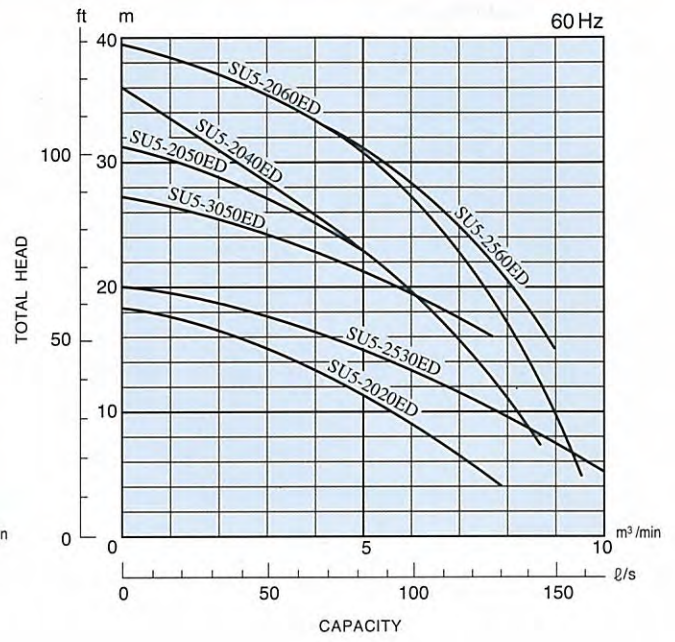
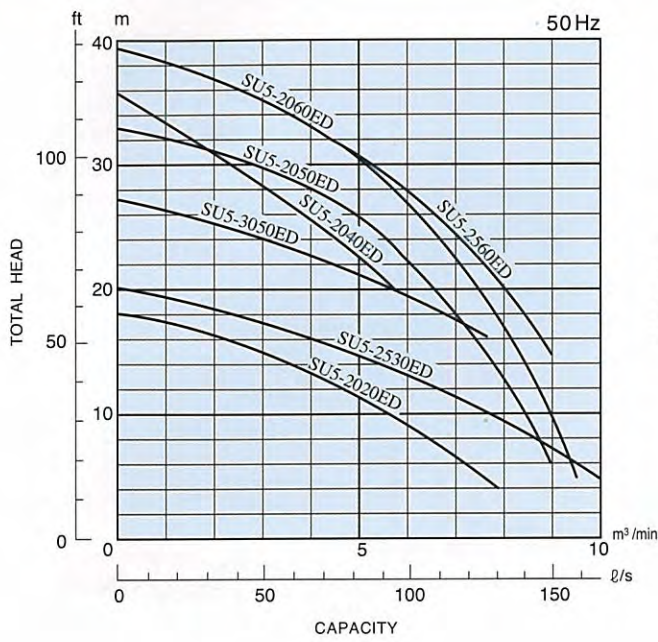
SU2-51E to SU5-1010E



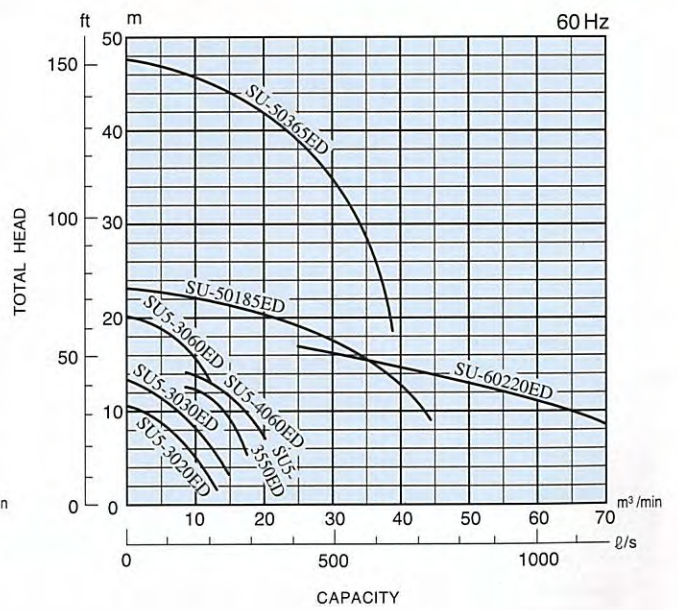
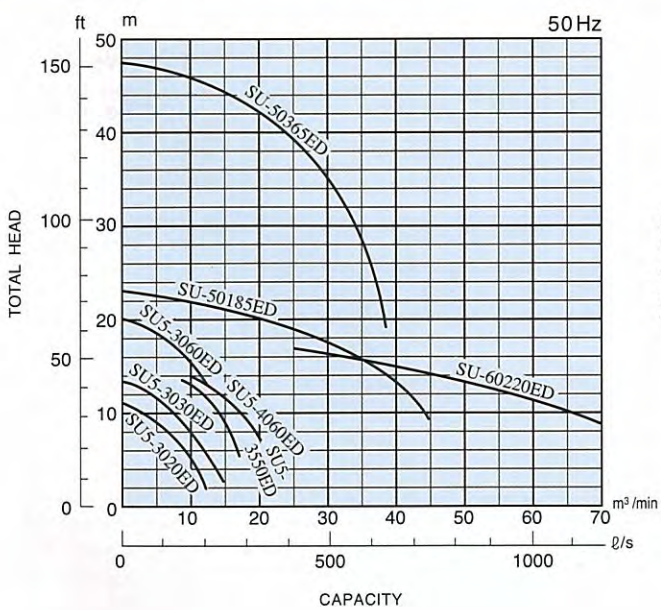
SU5-158E to -2030ED



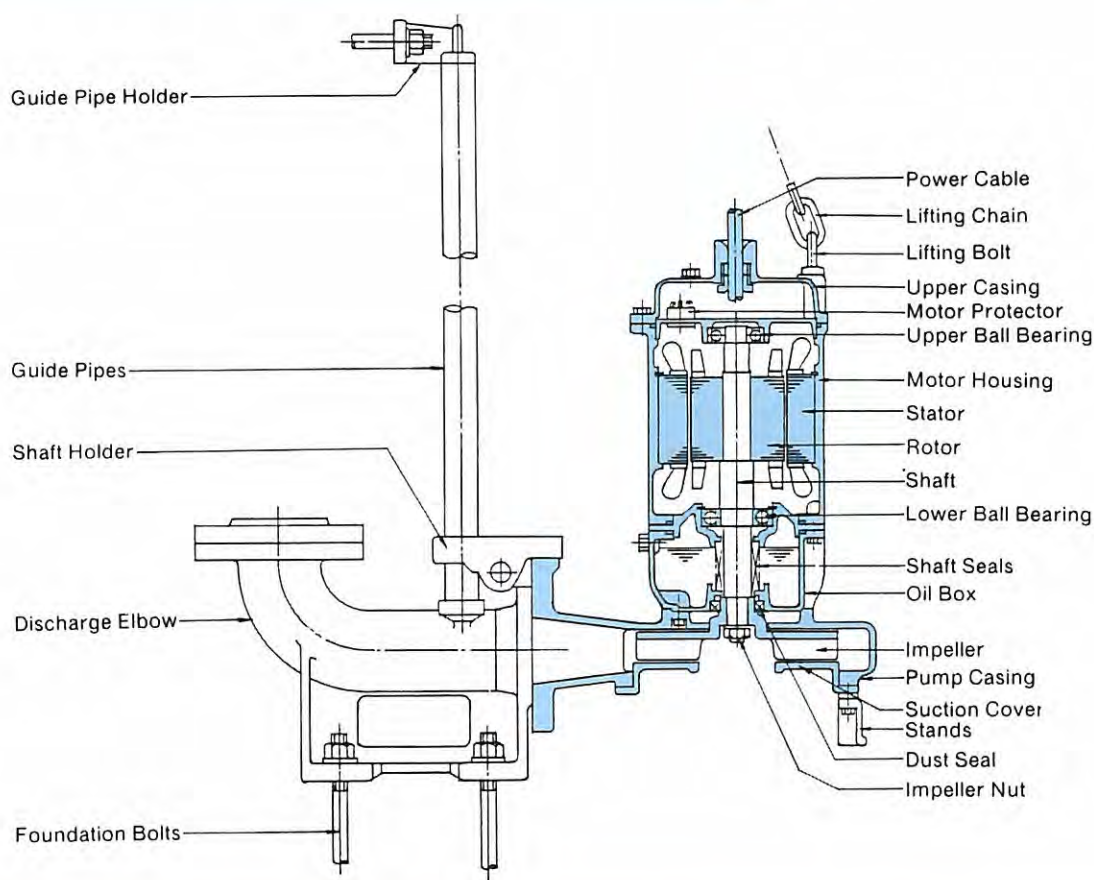
SU5-2020ED, -2040ED, -2050ED, -2060ED or SU5-2530ED, -2560ED, -3050ED



SU5-3020ED to -4060ED, SU-50185ED to -60220ED



CONSTRUCTIONS AND MATERIALS



PART	MATERIAL	ASTM STANDARDS	BS STANDARDS
Upper Casing	Cast Iron FC200	A48-30	1452-Grade 180
Motor Housing	Cast Iron FC200	A48-30	1452-Grade 180
Impeller	Cast Iron FC250 <small>Stainless cast steel & high chrome cast iron are also available as special, on request</small>	A48-35	1452-Grade 220
Suction Cover	Cast Iron FC250 <small>Stainless cast steel & high chrome cast iron are also available as special, on request</small>	A48-35	1452-Grade 220
Pump Casing	Cast Iron FC250	A48-35	1452-Grade 220
Shaft	Stainless Steel SUS 403	AISI-403	403S17
External Bolts & Nuts	Stainless Steel SUS 403	AISI-403	403S17
Discharge Elbow	Cast Iron FC250	A48-35	1452-Grade 220

PART	SUMMARY	PART	SUMMARY
Shaft Seals	High reliable double mechanical seals in an oil bath for long seal life.	Motor Protectors	Thermal snap-off type excesscurrent protector is built in the pumps 7.5kW and below. Thermistmer type of miniature protector is built in the stator windings for 11kW and above, on request.
Impeller	Dynamically and statically balanced.		
Motor	Dry type. Treated by specially encapsulated resin. Class E insulation (liquid temp. 0-40°C) as standard. Class F insulation is also available on request.	Submersion Detector	For 5.5kW and above, on request, built in the lower part inside the motor housing for leakage protection. Should water get into motor housing through the seals, the probe activates a warning light in the control panel, allowing time to repair motor before its failure.
Ball Bearings & Rotor Shaft	Fully designed for vibration-free operation, increasing reliability and service life.		

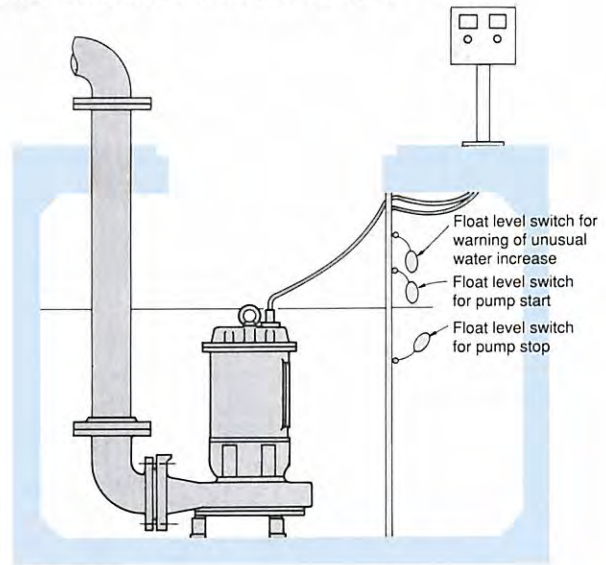
- Power cable: 2PNCT (except 1.25mm²)
VCT (1.25mm² only)

METHOD OF INSTALLATION

Free Standing Type

E.I.M Submersibles can be installed directly on the pit floor with strainer or suction cover. Discharge is manually connected directly to pipe only by an elbow. By merely disconnecting their pipes, pumps can be moved to other sites.

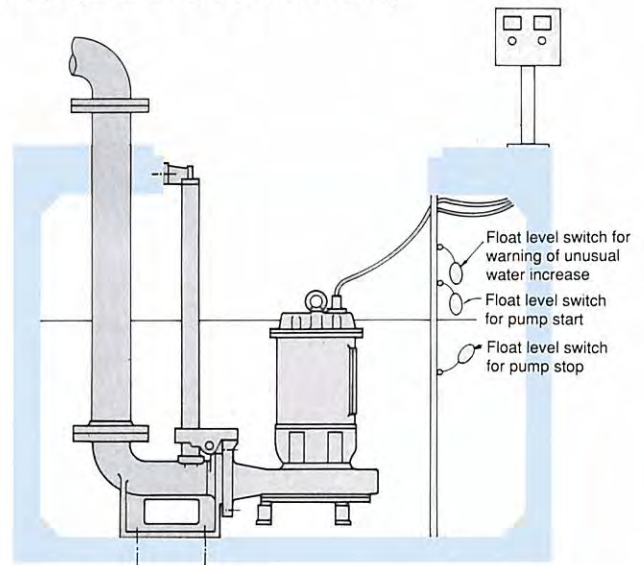
(Suffix E is put at the end of model name)



Discharge Elbow Assembly Type

E.I.M Submersibles can be lowered into the pit for permanent installation, without anyone entering into the pit and be lifted out of pit, without disconnecting any piping, for inspection and maintenance. Both of lowering and raising are accomplished by means of guide pipes. When lowered into position, pumps automatically seal to a discharge elbow by the pump's own weight without the use of bolts or special tools.

(Suffix B is put at the end of model name)



- Notes:
Dry installation type is also available, on request.

AUTOMATIC OPERATION



Automatic Type :

Automatic starting and stopping of duty, through the use of 2 float switches and control relay built-in, without the use of special control panel outside.

Model		Discharge mm	Motor		Rated Voltage (3-Phase)	Rating		Weight kg
Free Standing	Discharge Elbow Assembly		Output kW (HP)	Number of Poles		Head m (ft)	Capacity m ³ /min (ℓ/s)	
SU5-82EW4	SU5-82W4B	80 (65)*	1.5 (2)	4	200	8 (26.3)	0.55 (9.2)	73
SU5-83EW4	SU5-83W4B		2.2 (3)	4	200	10 (32.8)	0.6 (10)	85
SU5-85EW4	SU5-85W4B		3.7 (5)	4	200	10 (32.8)	1.0 (16.7)	95

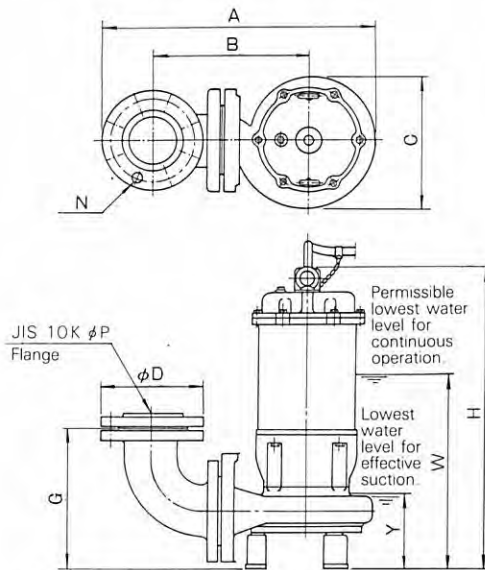
- Motor Protection : Automatic reset thermal snap-off type overcurrent protector built-in.
- Power Cable mm² × core × length (m) 2.0 × 4 × 8
- Discharge Size () also available on request.

DIMENSIONS

(Unit : mm)

• Free-Standing Type

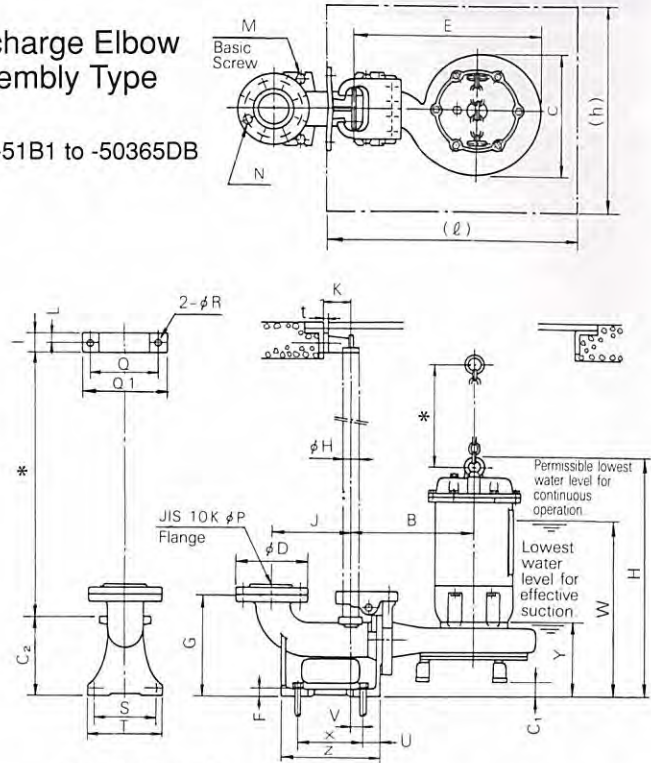
SU2-51E to -60220ED



- Flange connection for discharge is of a screwed type for 80 mm and below, and is of a welded type for 100 mm and above.

• Discharge Elbow Assembly Type

SU2-51B1 to -50365DB



- Specify dimensions of mark *.
- Flange connection for discharge is of screwed type for 80 mm and below, and is of a welded type for 100 mm and above.

Free-Standing Type

Model	A	B	C	D	G	H	N	P	W	Y
SU2-51E	461 (471)	263	237	155 (175)	190	443	4-M16	50 (85)	400	150
SU5-82E	555 (550)	311	300	185 (175)	230	565	8 (4)-M16	80 (85)	520	170
SU5-83E	563 (558)	311	315	185 (175)	230	570	8 (4)-M16	80 (85)	520	170
SU5-85E	610 (605)	341	363	185 (175)	230	620	8 (4)-M16	80 (65)	570	170
SU5-88E	777 (772)	471	423	185 (175)	289	722	8 (4)-M16	80 (65)	670	230
SU5-810E	777 (772)	471	423	185 (175)	289	722	8 (4)-M16	80 (65)	720	230
SU5-815E	803 (798)	471	470	185 (175)	290	880	8 (4)-M16	80 (65)	830	250
SU5-820E	803 (798)	471	470	185 (175)	290	980	8 (4)-M16	80 (65)	940	250
SU5-108E	725	405	430	210	312	730	8-M16	100	680	240
SU5-1010E	725	405	430	210	312	782	8-M16	100	730	240
SU5-158E	917	550	458	280	416	762	8-M20	150	710	270
SU5-1510E	917	550	458	280	416	812	8-M20	150	760	270
SU5-1515ED	980	590	501	280	416	907	8-M20	150	880	290
SU5-1520ED	980	590	501	280	416	1011	8-M20	150	970	290
SU5-1530ED	1082	642	610	280	460	1183	8-M20	150	1130	340
SU5-2015ED	1028	625	476	330	408	956	12-M20	200	910	330
SU5-2030ED	1115	676	548	330	404	1745	12-M20	200	1120	330
SU5-2040ED	1240	735	700	330	455	1325	12-M20	200	1220	400
SU5-2050ED	1240	735	700	330	455	1325	12-M20	200	1220	400
SU5-2060ED	1240	735	700	330	455	1325	12-M20	200	1380	400
SU5-3050ED	1610	1100	900	445	700	1550	16-M22	300	1420	610
SU5-3550ED	1580	940	800	490	790	1600	16-M22	350	1430	620
SU5-4060ED	1725	1030	860	560	910	1850	16-M24	400	1640	690
SU-50185ED	2310	1370	1160	675	1310	2400	20-M24	500	—	1000
SU-50365ED	2470	1470	1280	675	1145	2745	20-M24	500	—	795
SU-60220ED	2521	1555	1141	795	1655	3200	24-M30	600	—	1300

• In the case inside of () for discharge size 65mm.

Discharge Elbow Assembly Type

Model	A	B	C	C ₁	C ₂	D	E	F	G	H*	I	J	K	L	M
SU2-51B1	472	238	237	29	160	¹⁸⁵ ₍₁₇₅₎	358	15	210	Carbon Steel Pipe SGP 25A	30	¹²⁵ ₍₁₃₅₎	50	15	M16-200L × 4
SU5-82B	605	342	300	40	207	¹⁸⁵ ₍₁₇₅₎	493	16	270		50	209	70	25	M16-200L × 4
SU5-83B	610	342	315	40	207	¹⁸⁵ ₍₁₇₅₎	501	16	270		50	209	70	25	M16-200L × 4
SU5-85B	660	372	360	40	207	¹⁸⁵ ₍₁₇₅₎	549	16	270		50	209	70	25	M16-200L × 4
SU5-88B	702	401	423	22	207	¹⁸⁵ ₍₁₇₅₎	613	16	270		50	209	70	25	M16-200L × 4
SU5-810B	752	401	423	22	207	¹⁸⁵ ₍₁₇₅₎	613	16	270		50	209	70	25	M16-200L × 4
SU5-815B	860	401	470	20	207	¹⁸⁵ ₍₁₇₅₎	640	16	270		50	209	70	25	M16-200L × 4
SU5-820B	960	401	470	20	207	¹⁸⁵ ₍₁₇₅₎	640	16	270		50	209	70	25	M16-200L × 4
SU5-108B	740	396	430	48	247	210	610	18	325		50	239	70	25	M16-200L × 4
SU5-1010B	791	396	430	48	247	210	610	18	325		50	239	70	25	M16-200L × 4
SU5-158BH	826	509	450	104	330	280	735	22	460	Carbon Steel Pipe SGP	60	282	95	30	M20-250L × 4
SU5-1510BH	876	509	450	64	330	280	735	22	460		60	282	95	30	M20-250L × 4
SU5-1515DBH	974	549	501	104	330	280	800	22	460		60	282	95	30	M20-250L × 4
SU5-1520DBH	1075	549	501	104	330	280	800	22	460		60	282	95	30	M20-250L × 4
SU5-1530DB	1275	550	610	94	344	280	855	22	460		60	282	95	30	M20-250L × 4
SU5-2015DBH	1010	559	476	96	385	330	796	24	525		60	342	95	30	M20-250L × 4
SU5-2020DB	1255	539	400	100	400	330	815	24	525		60	342	95	30	M20-250L × 4
SU5-2030DB	1300	568	680	102	400	330	870	24	525		60	342	95	30	M20-250L × 4
SU5-2040DB	1440	598	700	105	400	330	930	24	525		60	342	95	30	M20-250L × 4
SU5-2050DB	1440	598	700	105	400	330	930	24	525		60	342	95	30	M20-250L × 4
SU5-2060DB	1440	598	700	105	400	330	930	24	525	60	342	95	30	M20-250L × 4	
SU5-2530DB	1340	576	548	—	470	400	850	25	620	60	315	95	30	M24-315L × 4	
SU5-2560DB	1530	636	665	—	470	400	970	25	620	60	315	95	30	M24-315L × 4	
SU5-3020DB	1350	661	705	—	495	445	1020	25	650	60	345	95	30	M24-315L × 4	
SU5-3030DB	1350	661	705	—	495	445	1020	25	650	60	345	95	30	M24-315L × 4	
SU5-3060DB	1550	696	690	—	495	445	1045	25	650	60	345	95	30	M24-315L × 4	
SU-50185DB	(2380)	1060	1160	(380)	525	675	1660	40	1220	Carbon Steel Pipe SGP 100A	100	770	150	30	M30-315L × 4
SU-50365DB	(2850)	1160	1280	(380)	525	675	1820	40	1220		100	770	150	50	M30-315L × 4

Model	N	P	Q	Q1	R	S	T	U	V	W	X	Y	Z	t	ℓ	h
SU2-51B1	4-M16	⁵⁵ ₍₆₅₎	120	150	15	100	140	30	15	430	120	180	180	12	450	350
SU5-82B	⁸ ₍₄₎ -M16	⁸⁰ ₍₆₅₎	180	220	15	160	200	40	33	560	180	230	260	12	650	500
SU5-83B	⁸ ₍₄₎ -M16	⁸⁰ ₍₆₅₎	180	220	15	160	200	40	33	560	180	230	260	12	650	500
SU5-85B	⁸ ₍₄₎ -M16	⁸⁰ ₍₆₅₎	180	220	15	160	200	40	33	610	180	230	260	12	650	500
SU5-88B	8-M16	⁸⁰ ₍₆₅₎	180	220	15	160	200	40	33	650	180	230	260	12	650	500
SU5-810B	8-M16	⁸⁰ ₍₆₅₎	180	220	15	160	200	40	33	700	180	230	260	12	650	500
SU5-815B	8-M16	⁸⁰ ₍₆₅₎	180	220	15	160	200	40	33	810	180	230	260	12	650	500
SU5-820B	8-M16	⁸⁰ ₍₆₅₎	180	220	15	160	200	40	33	920	180	230	260	12	650	500
SU5-108B	8-M16	100	180	220	15	200	240	40	33	690	220	280	300	12	800	600
SU5-1010B	8-M16	100	180	220	15	200	240	40	33	740	200	280	300	12	800	600
SU5-158BH	8-M20	150	230	280	19	250	300	50	48	770	260	380	360	15	1050	750
SU5-1510BH	8-M20	150	230	280	19	250	300	50	48	820	260	380	360	15	1050	750
SU5-1515DBH	8-M20	150	230	280	19	250	300	50	48	950	260	380	360	15	1050	750
SU5-1520DBH	8-M20	150	230	280	19	250	300	50	48	1020	260	380	360	15	1050	750
SU5-1530DB	8-M20	150	230	280	19	250	300	50	48	1150	260	380	360	15	1050	750
SU5-2015DBH	12-M20	200	230	280	19	310	360	60	143	970	460	440	580	15	1200	850
SU5-2020DB	12-M20	200	230	280	19	310	360	55	43	1155	330	440	440	15	1200	850
SU5-2030DB	12-M20	200	230	280	19	310	360	55	43	1190	330	440	440	15	1200	850
SU5-2040DB	12-M20	200	230	280	19	310	360	55	43	1210	330	440	440	15	1200	850
SU5-2050DB	12-M20	200	230	280	19	310	360	55	43	1210	330	440	440	15	1200	850
SU5-2060DB	12-M20	200	230	280	19	310	360	55	43	1370	330	440	440	15	1200	850
SU5-2530DB	12-M20	250	230	280	19	350	450	65	160	1240	420	450	550	15	1110	900
SU5-2560DB	12-M20	250	230	280	19	350	450	65	160	1430	420	450	550	15	1250	900
SU5-3020DB	16-M20	300	230	280	19	350	450	70	160	1250	450	480	590	15	1300	900
SU5-3030DB	16-M20	300	230	280	19	350	450	70	160	1250	450	480	590	15	1300	900
SU5-3060DB	16-M20	300	230	280	19	350	450	70	160	1450	450	480	590	15	1350	900
SU-50185DB	20-M24	500	300	350	19	570	670	100	150	—	1000	(900)	1150	12	2000	1600
SU-50365DB	20-M24	500	300	350	19	570	670	100	150	—	1000	(900)	1150	12	2000	1700




• In the case of inside of () for discharge size 65 mm.

* We recommend schedule 20s of SUS304 TP for Wastewater and Sewage.

Please provide E.I.M. with the following information when inquiring or ordering.

- Application
- Nature of Liquid
- Kind and Size of Sewage, Solid Sewage
- Head Size
- Capacity at Head
- Nominal Diameter
- Voltage
- Frequency
- Type of Installation : Free Standing or Discharge Elbow Assembly

In addition of this Series "SU", we also provide Series SE (light weight for 2 pole operation), SUR (vortex type) and SEC (with cutter) designed for chopping up wastes like strings, rags, etc.

Division	For sewage and wastewater	For sewage, Solid Handling	For sewage to be crushed cutter
Type	SE type	SUR type	SEC type
Configuration	Light weight 	Vortex Type 	With Cutter 
Motor	0.25 to 11 kW	0.4 to 22 kW	0.75 to 7.5 kW
Nominal Diameter	50 to 100mm	50 to 200mm	50 to 100mm
Applications	<ul style="list-style-type: none"> • Sewage from water treatment plants • Drainage from factories, buildings and sumps 	<ul style="list-style-type: none"> • Sewage Removal in the buildings, kitchen • Treatment of Sewage / Raw Sewage • Poultry / Swinery Sewage Disposal • Transferring of Wastewater / Sewage of Flood Processing Plants & Various Markets. 	<ul style="list-style-type: none"> • Sump, kitchen drainage • Draining solid sewage from food processing and other industries



SAFETY PRECAUTIONS

- Before operating our pumps, read the operation manual carefully.
- All the pictures shown in this catalogue have been taken after removing all the safety devices legally required, to make the products easier to see.
- Pump and pump installations drawings are only for explanatory and descriptive purposes.

• The designs or specifications of the types in this catalogue are subject to change without prior notice due to continual improvement.



E.I.M. ELECTRIC CO.,LTD.

412, Katsushika 2-chome, Funabashi City, Chiba, 273-0032 Japan
Phone : (0474)37-2711 Telefax : (0474)37-3969

YOUR. E.I.M. DEALER IS

PCE-2002
January 2007 98-5 1YKC