



# Submersible Pumps for Sewage and Wastewater Effluent

## SE Type

Discharge : 50 to 100mm

Motor Capacity: 0.25 to 11kW



新法機械有限公司

NEW WAY ENGINEERING CO., LTD.

香港九龍新蒲崗六合街8號六合工業大廈22字樓F座

FLAT F, 22/F., LUK HOP INDUSTRIAL BUILDING,

8 LUK HOP STREET, SAN PO KONG, KOWLOON, H.K.

Tel : 2325 6892, 2325 7196 Fax No.: (852) 2322 1768

E-mail : info@newway.com.hk

ISO 9001 Certificate



Model SE5-85HE

Discharge: 80mm

Motor : 3.7kW

# E.I.M. ELECTRIC CO.,LTD.

# SE SERIES

## Submersible Pumps for Sewage and Wastewater Effluent

The "SE" Series pump is a compact, rugged, heavy-duty submersible cast iron pump designed for handling sewage and wastewater effluent in the applications below. This Series pump has become available in the wide ranges of 0.4 kW to 11 kW, as standard, and also in the larger sizes up to 370 kW for higher head and larger capacity, on request, thus meeting recently increased demands in this field. Also, this series includes for automatic operation, automatic alternating operation type and complete with discharge elbow assembly for quick discharge connection.

### APPLICATIONS

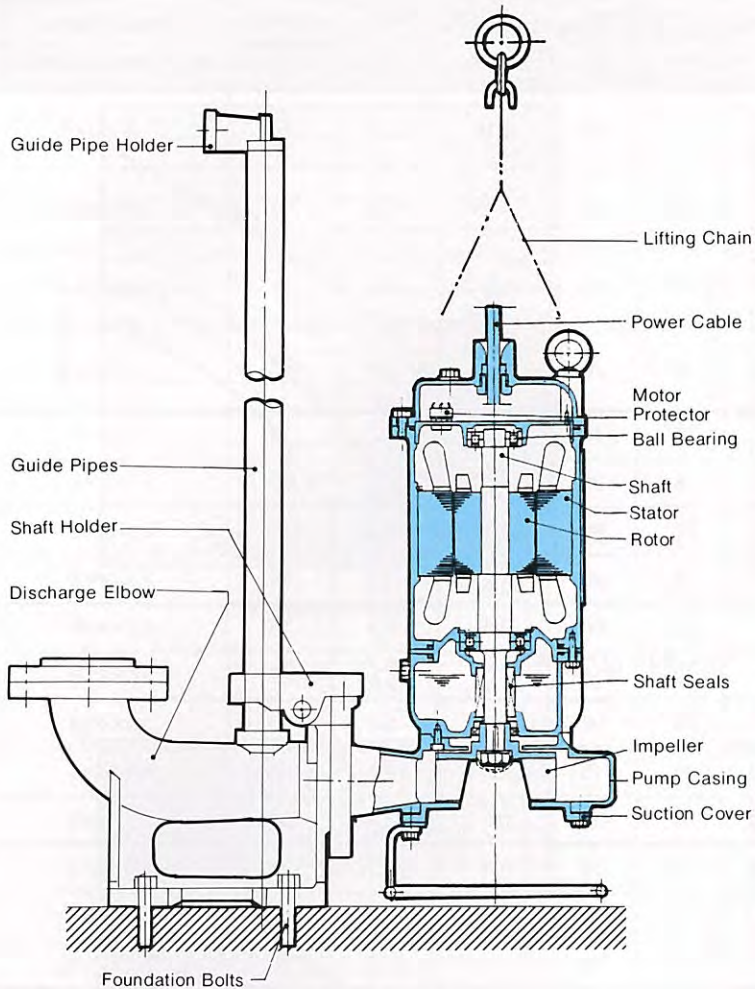
- Sewage, effluent and wastewater removal and transfer
- Sump drainage
- Dewatering
- Flood control and emergency
- Circulation
- Other general dewatering

### FEATURES

- Non-Clogging  
Efficient pumping of wastewater with medium sized solids.
- Minimum Installation Costs  
No pump house and space required. Easy operation and maintenance
- Long Life Mechanical Seals and Bearings  
Anti-abrasion and -corrosion, oil lubricated
- Reliable Submersible Motor  
Air filled watertight. Compact 2 pole
- Motor Protection  
A built-in protector prevents motor from overheating caused by excess current, locking or dry operation.
- Quick Coupling  
Automatic discharge elbow assembly adaptable for easy inspection and maintenance
- Automatic Operation  
Automatic, automatic alternating and parallel types, with control relay built in pump and float switches, without requiring of control panel outside.



# CONSTRUCTIONS AND MATERIALS



## Composition of Discharge Elbow Assembly

- Discharge Elbow .....1 pc.
- Shaft Holder .....1 pc.
- Guide Pipe Holder .....1 pc.
- Foundation Bolts .....4 pacs.
- Guide pipes (carbon steel) & Lifting Chain (Stainless Steel), as option, at extra costs.

| Part                        | Summary  |
|-----------------------------|--|
| Shaft Seals                 | High reliable double mechanical seals in an oil bath for long seal life.<br>SiC (Silicon Carbide)/SiC<br>— Ceramic/Carbon  |
| Impeller                    | Semi open type, non-clog. Dynamically and statically balanced.   |
| Motor                       | Dry type. Treated by specially encapsulated resin. Class "E" insulation (liquid temp. 0–40°C) as standard. Class "B", "F" and "H" insulations are also available, on request.            |
| Ball Bearings & Rotor Shaft | Double angular contact ball bearings. Fully designed against vibration for increasing reliability and service life.  |
| Motor Protectors            | 1) 0.4 to 7.5kW: Thermal snap-off type excesscurrent protector is built in the pumps.<br>2) 11kW and above: Bimetal type miniature detector is built in the stator windings, on request. |
| Corrosion-Proof             | 1) Stainless Steel Impeller, Discharge Elbow, on request<br>2) Tar Epoxy Paint<br>3) Sacrificial Zinc Anodes, available on request.  |

## Materials and Standards

| Part                  | Material, JIS  | ASTM Standards | BS Standards   |
|-----------------------|--|----------------|----------------|
| Upper Casing          | Cast Iron FC200  | A48-30A        | 1452-Grade 180 |
| Motor Housing         | Cast Iron FC200  | A48-30A        | 1452-Grade 180 |
| Impeller              | Cast Iron FC250<br>Stainless cast steel & high chrome cast iron are also available, on request   | A48-35A        | 1452-Grade 220 |
| Suction Cover         | Cast Iron FC250<br>Stainless cast steel & high chrome cast iron are also available, on request   | A48-35A        | 1452-Grade 220 |
| Pump Casing           | Cast Iron FC250  | A48-35A        | 1452-Grade 220 |
| Shaft                 | Stainless Steel SUS403   | AISI-403       | 403S17         |
| External Bolts & Nuts | Stainless Steel SUS403   | AISI-403       | 403S17         |
| Discharge Elbow       | Cast Iron FC250  | A48-35A        | 1452-Grade 220 |
| Power Cable           | VCT (Polyvinyl Chloride Cabtyre Cable), 1.25mm <sup>2</sup> only.<br>2PNCT (Ethylene-Propylene Rubber Insulated Chloroprene Cabtyre cable). 2mm <sup>2</sup> and larger. |                |                |

# SPECIFICATIONS

| Model                            |                   | Discharge<br>mm | Motor Output<br>kW | Head Rated |     | Capacity Rated      |                | Solid<br>Handling<br>mm | Power Cable<br>mm <sup>2</sup> ×Core×Length (m) |
|----------------------------------|-------------------|-----------------|--------------------|------------|-----|---------------------|----------------|-------------------------|---|
| Free<br>Standing                 | Elbow<br>Assembly |                 |                    | m          | ft  | m <sup>3</sup> /min | ℓ/s            |                         |   |
| SE-400 <sup>E</sup> <sub>G</sub> | SE-400B1          | 50/65*          | 0.4                | 6          | 20  | 0.16                | 2.7            | 12                      | 1.25×3×6  |
| SE-503 <sup>E</sup> <sub>G</sub> | SE-503B1          | 50/65*          | 0.25               | 5          | 16  | 0.15                | 2.5            | 12                      | 1.25×4×6  |
| SE-505 <sup>E</sup> <sub>G</sub> | SE-505B1          |                 | 0.4                | 6          | 20  | 0.2                 | 3.3            | 12                      | 1.25×4×10                                       |
| SE-51 <sup>E</sup> <sub>G</sub>  | SE-51B1           |                 | 0.75               | 8          | 26  | 0.3                 | 5.0            | 16                      | 1.25×4×10                                       |
| SE5-82HE                         | SE5-82HBH         | 80/65*          | 1.5                | 15         | 49  | 0.25                | 4.2            | 13                      | 2.0×4×8   |
| SE5-82LE                         | SE5-82LBH         |                 | 1.5                | 8          | 26  | 0.5<br>(0.55)       | 8.3<br>(8.8)   | 32                      | 2.0×4×8   |
| SE5-83HE                         | SE5-83HBH         |                 | 2.2                | 20         | 66  | 0.25                | 4.2            | 15                      | 2.0×4×8   |
| SE5-83LE                         | SE5-83LBH         |                 | 2.2                | 8          | 26  | 0.75<br>(0.8)       | 12.5<br>(13.0) | 34                      | 2.0×4×8   |
| SE5-85HE                         | SE5-85HBH         |                 | 3.7                | 20         | 66  | 0.5                 | 8.3            | 18                      | 2.0×4×8   |
| SE5-85LE                         | SE5-85LBH         |                 | 3.7                | 10         | 33  | 1.0<br>(1.1)        | 16.7<br>(18.0) | 32                      | 2.0×4×8   |
| SE5-88E                          | SE5-88BH          | 80/65*          | 5.5                | 30         | 98  | 0.3                 | 5.0            | 19                      | 3.5×4×8   |
| SE5-810E                         | SE5-810BH         |                 | 7.5                | 35         | 115 | 0.4                 | 6.7            | 20                      | 5.5×4×8   |
| SE5-815ED                        | SE5-815DBH        |                 | 11                 | 40         | 131 | 0.5                 | 8.3            | 20                      | 5.5× <sup>3</sup> / <sub>4</sub> ×8             |
| SE5-108E                         | SE5-108BH         | 100             | 5.5                | 12         | 39  | 1.3                 | 21.7           | 33                      | 3.5×4×8   |
| SE5-1010E                        | SE5-1010BH        |                 | 7.5                | 15         | 49  | 1.5                 | 25.0           | 33                      | 5.5×4×8   |
| SE5-1015ED                       | SE5-1015DBH       |                 | 11                 | 15         | 49  | 1.8                 | 30.0           | 36                      | 5.5× <sup>3</sup> / <sub>4</sub> ×8             |

Notes: 1. Power Supply : Voltage between 200V to 550V, 3-Phase, 50Hz or 60 Hz.  
(SE-400 only: 1-Phase, 100V to 240V, 50Hz or 60Hz.)

2. No. of Poles : 2

3. Starting Method : Direct-on-Line Start

4. Figures in ( ) of column "Capacity Rated" : for 50Hz operation

5. Mark \* shows availability of discharge sizes, on request.

6. Standard Accessories : 1) Submersible Power Cable, 2) Companion Flange

7. Power cable : 2PNCT (except 1.25mm<sup>2</sup>) VCT (1.25mm<sup>2</sup> only)

## Product Coding

Suffix "E" ="Flange" type of discharge connection

"G" ="Internal Threaded" type of disch. conn.

"B" ="Discharge Elbow Assembly" type of disch. conn. ("B1" up to 0.75kW)

"L" ="Low Head" type "H" ="High Head" type "D" ="2-power cable" type

"W2", "W4" ="Automatic Operation" type, complete with built-in control relay and 2 float switches.

"W1", "W3" ="Automatic Alternating Operation" type, complete with built-in control relay and 3 float switches.

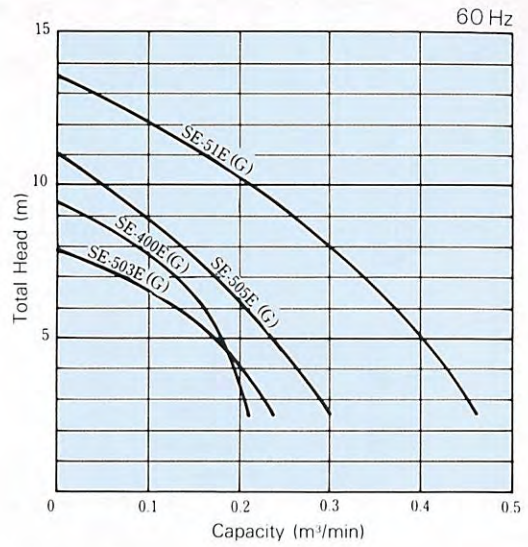
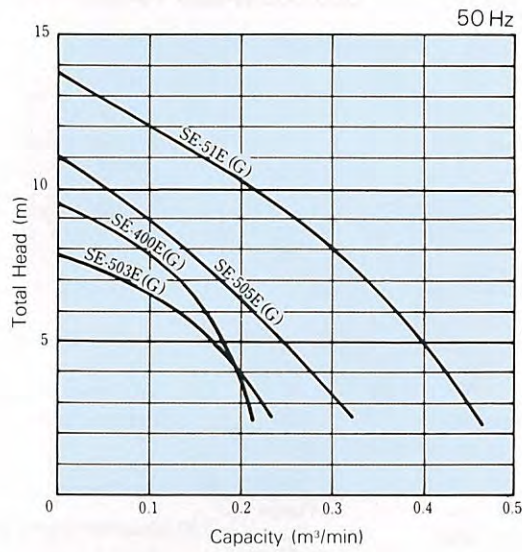
## Special Specifications

|                        |   |
|------------------------|---|
| Material Variation     | Impeller Stainless Steel Casting 316 (JIS SCS14)  |
|                        | Elbow Ass'y Stainless Steel Casting 316 (JIS SCS14)   |
| Configuration          | with Fall-Down Protection Device<br>with Strainer   |
| High Temperature Water | There are some Models which can not meet this special requirement. Special Models over 15kW. Also are available on request. Please consult the factory. |
| Painting               | Tar Epoxy Paint. Other kinds also available.  |

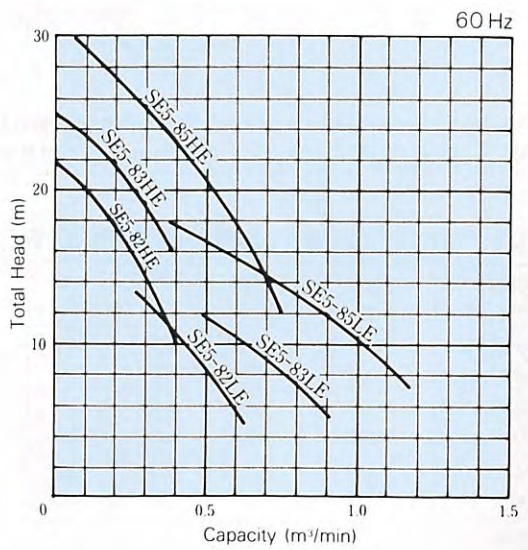
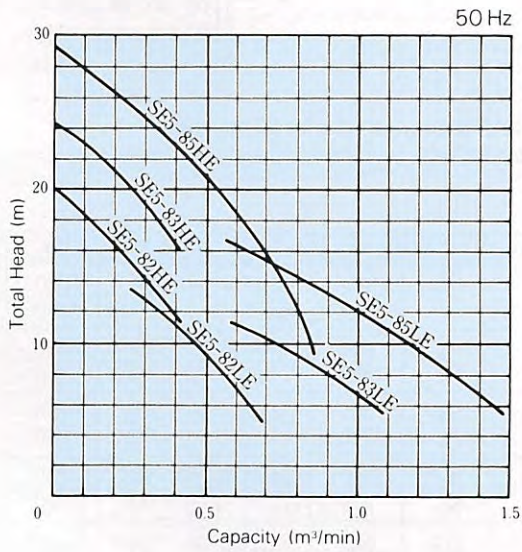
Models over 11kW. Also available, as special order on request.

# PERFORMANCE CURVES

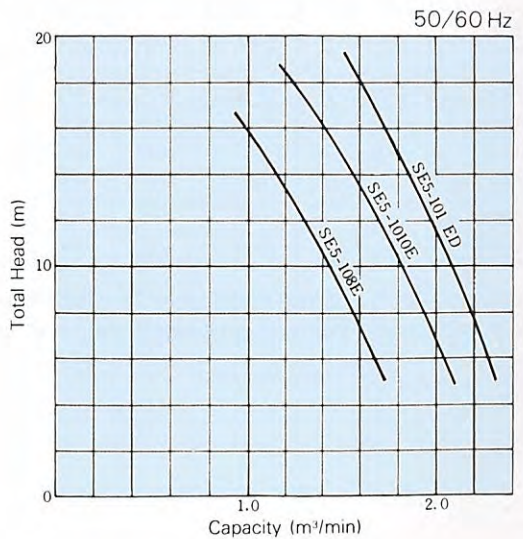
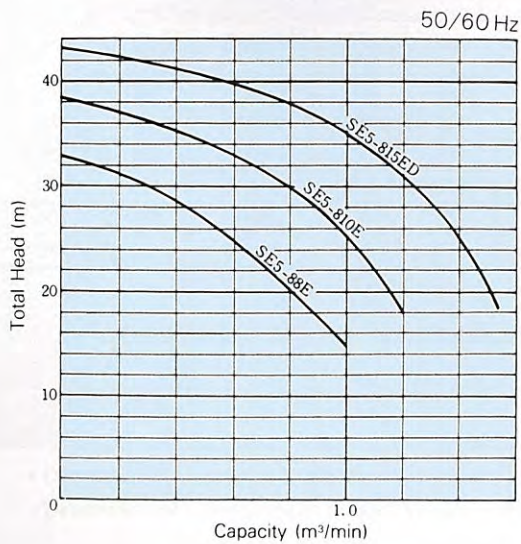
SE-400<sub>G</sub> to SE-51<sub>G</sub>



SE5-82<sub>L</sub> to SE5-85<sub>L</sub>



SE5-88E to SE5-1015ED



# DIMENSIONS

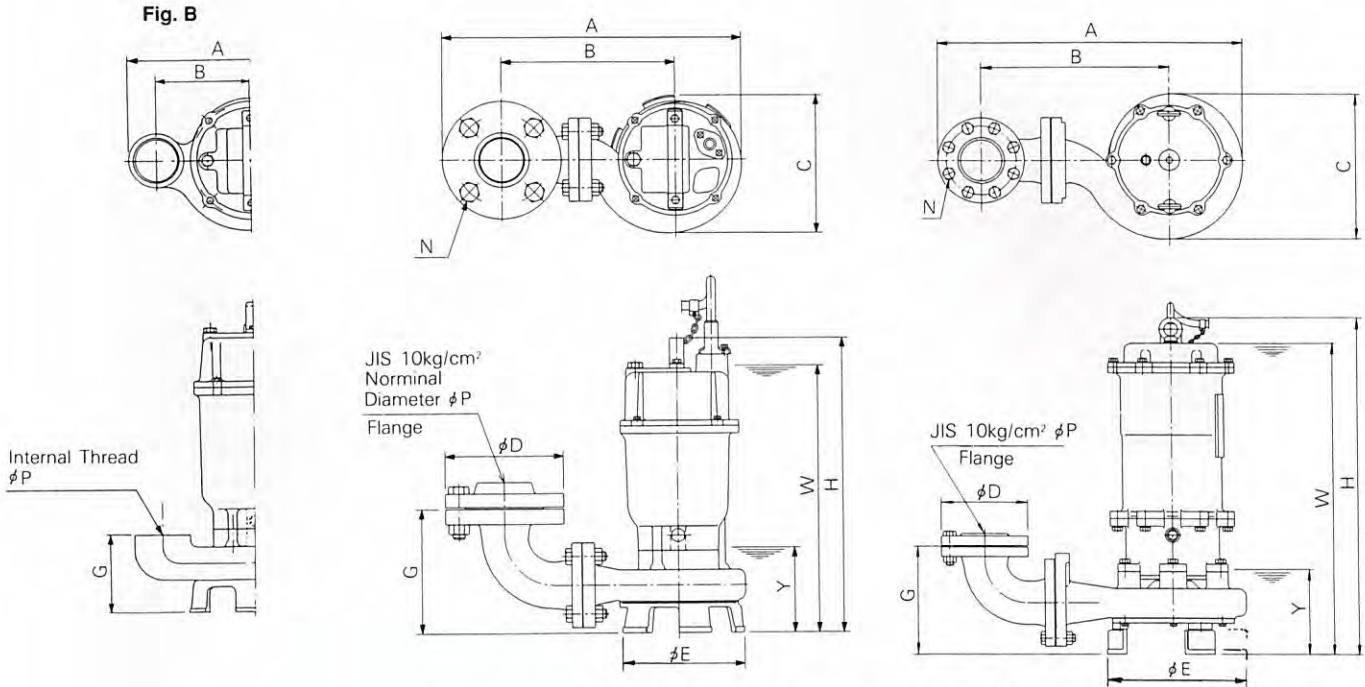
(Unit : mm)

## Free-Standing Type

SE-400<sub>G</sub> to SE5-85<sub>E</sub>

Fig. A

SE5-88E to SE5-1015ED



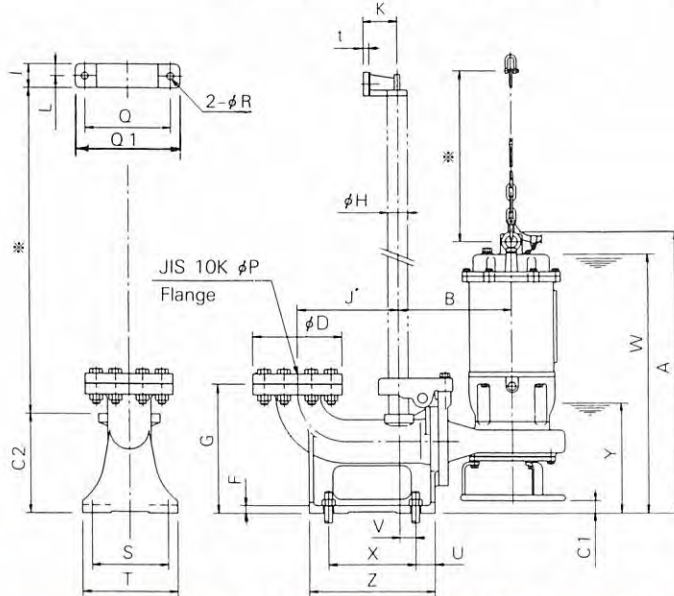
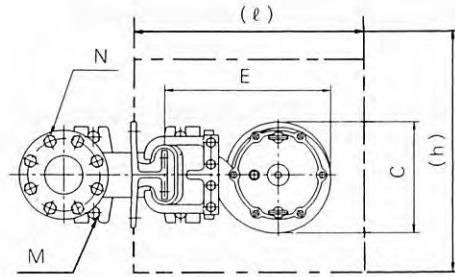
- Flange connection for discharge is of a screwed type for 80 mm and below, and is of a welded type for 100 mm and above.

| Type                 | Drawing | A   | B   | C   | D   | E   | G   | H   | N     | P   | W   | Y   |
|----------------------|---------|-----|-----|-----|-----|-----|-----|-----|-------|-----|-----|-----|
| SE-400E              | Fig. A  | 389 | 225 | 180 | 155 | 170 | 162 | 405 | 4•M16 | 50  | 360 | 110 |
| SE-400G              | Fig. B  | 245 | 120 | 180 | PT2 | 170 | 95  | 405 | —     | 50  | 360 | 110 |
| SE-503E              | Fig. A  | 389 | 225 | 180 | 155 | 170 | 162 | 390 | 4•M16 | 50  | 350 | 110 |
| SE-503G              | Fig. B  | 245 | 120 | 180 | PT2 | 170 | 95  | 390 | —     | 50  | 350 | 110 |
| SE-505E              | Fig. A  | 389 | 225 | 180 | 155 | 170 | 162 | 390 | 4•M16 | 50  | 350 | 110 |
| SE-505G              | Fig. B  | 245 | 120 | 180 | PT2 | 170 | 95  | 390 | —     | 50  | 350 | 110 |
| SE-52E               | Fig. A  | 389 | 225 | 180 | 155 | 170 | 162 | 390 | 4•M16 | 50  | 350 | 110 |
| SE-51G               | Fig. B  | 245 | 120 | 180 | PT2 | 170 | 95  | 390 | —     | 50  | 350 | 110 |
| SE5-82HE<br>SE5-82LE | —       | 440 | 236 | 232 | 185 | 243 | 243 | 635 | 4•M16 | 80  | 590 | 180 |
| SE5-83HE<br>SE5-83LE | —       | 484 | 266 | 253 | 185 | 254 | 254 | 645 | 8•M16 | 80  | 600 | 200 |
| SE5-85HE<br>SE5-85LE | —       | 488 | 266 | 268 | 185 | 250 | 250 | 645 | 8•M16 | 80  | 600 | 190 |
| SE5-88E              | —       | 649 | 401 | 312 | 185 | 285 | 228 | 722 | 8•M16 | 80  | 670 | 180 |
| SE5-810E             | —       | 649 | 401 | 312 | 185 | 285 | 228 | 722 | 8•M16 | 80  | 670 | 180 |
| SE5-815ED            | —       | 649 | 401 | 312 | 185 | 285 | 228 | 775 | 8•M16 | 80  | 730 | 180 |
| SE5-108E             | —       | 691 | 406 | 320 | 210 | 285 | 279 | 751 | 8•M16 | 100 | 700 | 220 |
| SE5-1010E            | —       | 691 | 406 | 320 | 210 | 285 | 279 | 751 | 8•M16 | 100 | 700 | 220 |
| SE5-1015ED           | —       | 691 | 406 | 320 | 210 | 285 | 279 | 810 | 8•M16 | 100 | 760 | 220 |

- Dimension Y : Lowest Water Level for effective suction.
- Dimension W : Permissible Lowest Water Level for continuous operation.

## Discharge Elbow Assembly Type

SE-400B1 to SE5-1015DBH



- Specify the dimensions of \* above.
- Flange connection for discharge is of a screwed type for 80 mm and below, and is of a welded type for 100 mm and above.

\*: We recommend SUS 304TP schedule 20S for sewage and wastewater applications.

| Type                   | A   | B   | C   | C1 | C2  | D   | E   | F  | G   | H*         | I  | J   | K  | L  |
|------------------------|-----|-----|-----|----|-----|-----|-----|----|-----|------------|----|-----|----|----|
| SE-400B1               | 463 | 201 | 180 | 58 | 160 | 155 | 287 | 15 | 210 | SGP<br>25A | 30 | 125 | 60 | 15 |
| SE-503B1               | 448 | 201 | 180 | 58 | 160 | 155 | 287 | 15 | 210 |            | 30 | 125 | 60 | 15 |
| SE-505B1               | 448 | 201 | 180 | 58 | 160 | 155 | 287 | 15 | 210 |            | 30 | 125 | 60 | 15 |
| SE-51B1                | 448 | 201 | 180 | 58 | 160 | 155 | 287 | 15 | 210 |            | 30 | 125 | 60 | 15 |
| SE5-82HBH<br>SE5-82LBH | 660 | 312 | 232 | 27 | 195 | 185 | 423 | 16 | 270 | SGP<br>40A | 50 | 209 | 70 | 25 |
| SE5-83HBH<br>SE5-83LBH | 660 | 342 | 253 | 16 | 195 | 185 | 467 | 16 | 270 |            | 50 | 209 | 70 | 25 |
| SE5-85HBH<br>SE5-85LBH | 665 | 342 | 268 | 16 | 195 | 185 | 472 | 16 | 270 |            | 50 | 209 | 70 | 25 |
| SE5-88BH               | 762 | 407 | 315 | 41 | 195 | 185 | 565 | 16 | 270 | SGP<br>40A | 50 | 209 | 70 | 25 |
| SE5-810BH              | 762 | 407 | 315 | 41 | 195 | 185 | 565 | 16 | 270 |            | 50 | 209 | 70 | 25 |
| SE5-815DBH             | 817 | 407 | 315 | 41 | 195 | 185 | 565 | 16 | 270 |            | 50 | 209 | 70 | 25 |
| SE5-108BH              | 809 | 362 | 321 | 56 | 235 | 210 | 522 | 18 | 325 | SGP<br>40A | 50 | 209 | 70 | 25 |
| SE5-1010DBH            | 809 | 362 | 321 | 56 | 235 | 210 | 522 | 18 | 325 |            | 50 | 209 | 70 | 25 |
| SE5-1015DBH            | 862 | 362 | 321 | 56 | 235 | 210 | 522 | 18 | 325 |            | 50 | 209 | 70 | 25 |

| Type                   | M        | N     | P   | Q   | Q1  | R  | S   | T   | U  | V  | W   | X   | Y   | Z   | t  | ℓ   | h   |
|------------------------|----------|-------|-----|-----|-----|----|-----|-----|----|----|-----|-----|-----|-----|----|-----|-----|
| SE-400B1               | M16-200L | 4-M16 | 50  | 120 | 150 | 15 | 100 | 140 | 30 | 15 | 420 | 120 | 180 | 180 | 12 | 400 | 300 |
| SE-503B1               | M16-200L | 4-M16 | 50  | 120 | 150 | 15 | 100 | 140 | 30 | 15 | 410 | 120 | 180 | 180 | 12 | 400 | 300 |
| SE-505B1               | M16-200L | 4-M16 | 50  | 120 | 150 | 15 | 100 | 140 | 30 | 15 | 410 | 120 | 180 | 180 | 12 | 400 | 300 |
| SE-51B1                | M16-200L | 4-M16 | 50  | 120 | 150 | 15 | 100 | 140 | 30 | 15 | 410 | 120 | 180 | 180 | 12 | 400 | 300 |
| SE5-82HBH<br>SE5-82LBH | M16-200L | 8-M16 | 80  | 180 | 220 | 15 | 160 | 200 | 40 | 33 | 620 | 180 | 230 | 260 | 12 | 550 | 400 |
| SE5-83HBH<br>SE5-83LBH | M16-200L | 8-M16 | 80  | 180 | 220 | 15 | 160 | 200 | 40 | 33 | 620 | 180 | 230 | 260 | 12 | 650 | 500 |
| SE5-85HBH<br>SE5-85LBH | M16-200L | 8-M16 | 80  | 180 | 220 | 15 | 160 | 200 | 40 | 33 | 620 | 180 | 230 | 260 | 12 | 650 | 500 |
| SE5-88BH               | M16-200L | 8-M16 | 80  | 180 | 220 | 15 | 160 | 200 | 40 | 33 | 710 | 180 | 230 | 260 | 12 | 800 | 600 |
| SE5-810BH              | M16-200L | 8-M16 | 80  | 180 | 220 | 15 | 160 | 200 | 40 | 33 | 710 | 180 | 230 | 260 | 12 | 800 | 600 |
| SE5-815DBH             | M16-200L | 8-M16 | 80  | 180 | 220 | 15 | 160 | 200 | 40 | 33 | 770 | 180 | 230 | 260 | 12 | 800 | 600 |
| SE5-108BH              | M16-200L | 8-M16 | 100 | 180 | 220 | 15 | 200 | 240 | 40 | 33 | 760 | 220 | 280 | 300 | 12 | 650 | 500 |
| SE5-1010DBH            | M16-200L | 8-M16 | 100 | 180 | 200 | 15 | 200 | 240 | 40 | 33 | 760 | 220 | 280 | 300 | 12 | 650 | 500 |
| SE5-1015DBH            | M16-200L | 8-M16 | 100 | 180 | 200 | 15 | 200 | 240 | 40 | 33 | 830 | 220 | 280 | 300 | 12 | 650 | 500 |

- Dimension Y : Lowest Water Level for effective suction.
- Dimension W : Permissible Lowest Water Level for continuous operation.

# AUTOMATIC OPERATION

The "SE" series pumps up to 3.7 kW are operated automatically, without the use of expensive control panels outside. No complicated electrical wiring is required. Pumps are placed in the sump and connected to a power outlet. You won't have to worry about switching on and off.

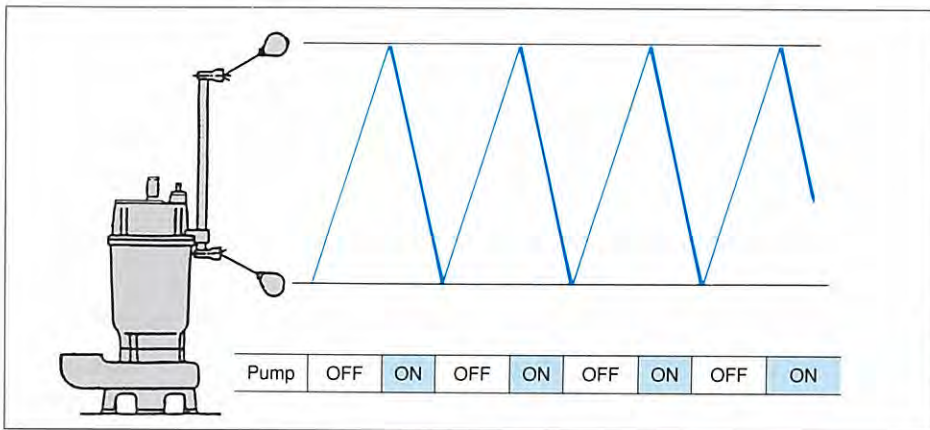
Fitted with adjustable safety low voltage (24V) float switches and built-in control relay 2 different types of automatic pumps are available as below :

## 1. Automatic Type : (up to 3.7 kW, Model suffixed by "W2" or "W4")

Automatic starting and stopping of duty, through the use of 2 float switches and built-in, control relay without the use of special control panel outside.



SE-51EW2



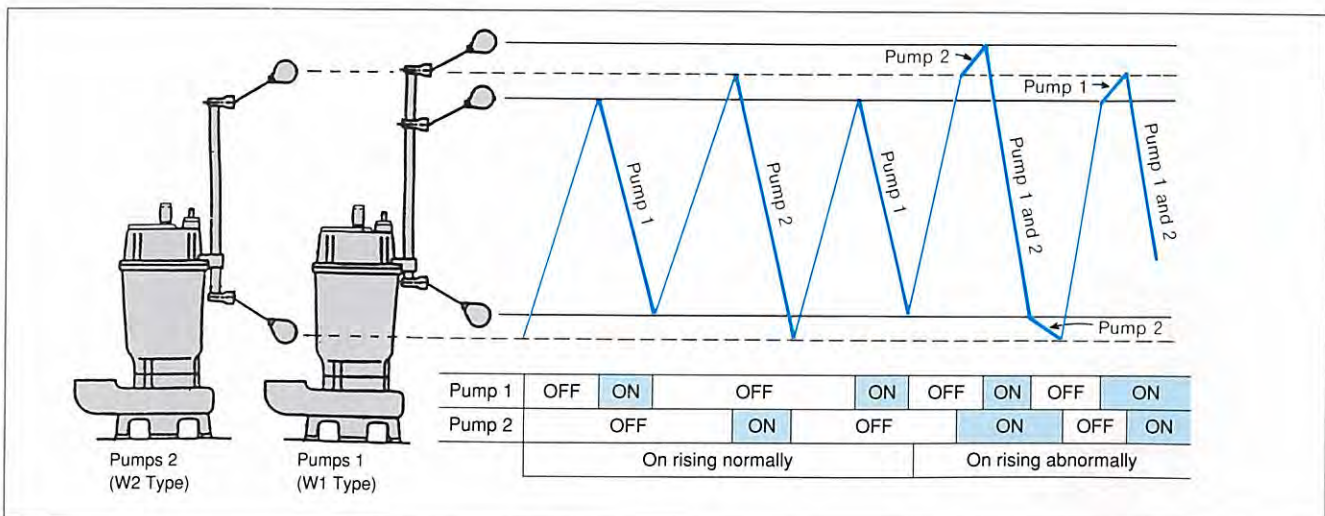
SE-51GW1

SE-51GW2

## 2. Automatic Alternating Type : (up to 1.5 kW, Model suffixed by "W1" or "W3")

Automatic alternating operation, through the use of 3 float switches and built-in, control relay without the use of special control panel outside.

This pump "W1", used in parallel with a standard automatic type "W2", will provide the following :



- Automatic stopping and starting of duty
- Automatic alternation of duty and standby pump
- Protection against flooding by automatic switching to parallel operation
- Alternating function divides operating time equally between the two pumps.
- If, for some reason, one pump malfunctions, the other pump will continue to operate (automatically) on its own.

# SPECIFICATIONS

| Model                                |                                    | Discharge<br>mm | Motor Output<br>kW | Head Rated |    | Capacity Rated      |                | Power Catyre<br>mm <sup>2</sup> ×Core×Length (m) |
|--------------------------------------|------------------------------------|-----------------|--------------------|------------|----|---------------------|----------------|--|
| Automatic Operation                  | Automatic Alternating Operation    |                 |                    | m          | ft | m <sup>3</sup> /min | ℓ/s            |  |
| SE-400 <sup>EW2</sup> <sub>GW2</sub> | SE-400 <sup>EW</sup> <sub>GW</sub> | 50              | 0.4                | 6          | 20 | 0.16                | 2.7            | 1.25×3×6   |
| SE-51 <sup>EW2</sup> <sub>GW2</sub>  | SE-51 <sup>EW</sup> <sub>GW</sub>  |                 | 0.75               | 8          | 26 | 0.3                 | 5.0            | 1.25×4×10  |
| SE5-82HEW4                           | SE5-82HEW                          | 80/65*          | 1.5                | 15         | 49 | 0.26                | 4.2            | 2.0×4×8  |
| SE5-82LEW4                           | SE5-82LEW                          |                 | 1.5                | 8          | 26 | 0.5<br>(0.53)       | 8.3<br>(8.8)   | 2.0×4×8  |
| SE5-83HEW4                           | —                                  |                 | 2.2                | 20         | 66 | 0.25                | 4.2            | 2.0×4×8  |
| SE5-83LEW4                           | —                                  |                 | 2.2                | 8          | 26 | 0.75<br>(0.8)       | 3.5<br>(13.0)  | 2.0×4×8  |
| SE5-85HEW4                           | —                                  | 80/100*         | 3.7                | 20         | 66 | 0.5                 | 8.3            | 2.0×4×8  |
| SE5-85LEW4                           | —                                  |                 | 3.7                | 10         | 33 | 1.0<br>(1.1)        | 16.7<br>(18.0) | 2.0×4×8  |

Notes : 1. Power Supply : Voltage between 200V to 550V, 3-Phase, 50Hz or 60Hz.  
(SE-400 only : 1-Phase, 100V to 240V, 50Hz or 60Hz.)

2. No. of Poles : 2

3. Starting Method : Direct-on-Line Start

4. Figures in ( ) of column "Capacity Rated": for 50Hz operation

5. Mark \* shows availability of discharge sizes, on request.

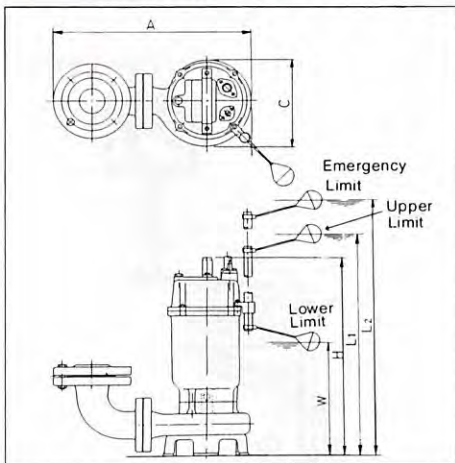
6. Standard Accessories : 1) Submersible Power Cable, 2) Companion Flange

7. The product coding-Suffix W stands for one-set composed of Pump 1 (W1, W3 Type) and Pump 2 (W2, W4 Type).

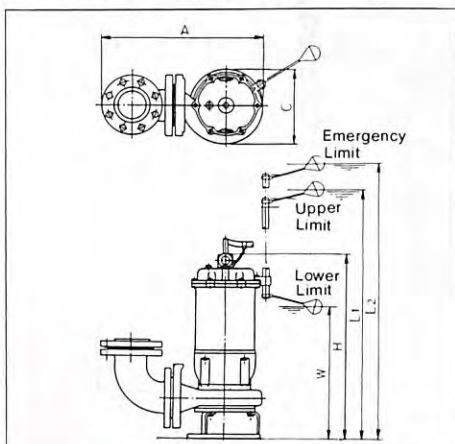
# DIMENSIONS

(Unit : mm)

SE-400<sup>W1</sup><sub>W2</sub> to SE-51<sup>W1</sup><sub>W2</sub>



SE5-82<sup>H</sup><sub>W3</sub> to SE5-85<sup>H</sup><sub>W4</sub>



- The dimensions show the maximum sizes only of the pump proper, and the water levels where Float Switches should be operated. Each dimension of pump proper is shown on Page 5.
- L1 : Water level for Upper Limit of Model SE- [ ] W2.
- L2 : Water level for Emergent Limit of Model SE- [ ] W1.

| Model      | A   | C   | H   | L1   | L2   | W   |
|------------|-----|-----|-----|------|------|-----|
| SE-400EW1  | 389 | 180 | 405 | 640  | 790  | 270 |
| SE-400EW2  | 389 | 180 | 405 | 690  | —    | 220 |
| SE-51EW1   | 389 | 180 | 390 | 640  | 790  | 270 |
| SE-51EW2   | 389 | 180 | 390 | 690  | —    | 220 |
| SE5-82HEW3 | 440 | 232 | 710 | 980  | 1130 | 590 |
| SE5-82HEW4 | 440 | 232 | 710 | 1030 | —    | 590 |
| SE5-82LEW3 | 440 | 232 | 710 | 980  | 1130 | 590 |
| SE5-82LEW4 | 440 | 232 | 710 | 1030 | —    | 590 |
| SE5-83HEW4 | 484 | 253 | 720 | 1060 | —    | 600 |
| SE5-83LEW4 | 484 | 253 | 720 | 1060 | —    | 600 |
| SE5-85HEW4 | 488 | 268 | 720 | 1080 | —    | 600 |
| SE5-85LEW4 | 488 | 268 | 720 | 1080 | —    | 600 |

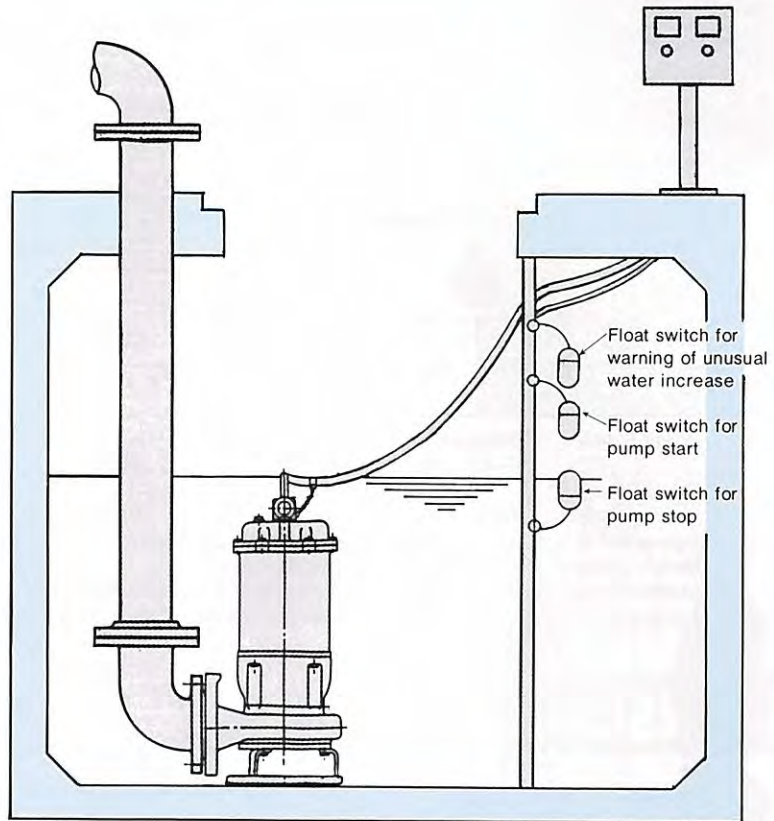
- W : Permissible Lowest Water Level for continuous operation.
- Flange type (SE- [ ] E W1/W2) only is listed in the Table; Internal threaded type (SE- [ ] G W1/W2) is also available for each dimension of the Table except dimension A.

# INSTALLATION TYPES

## Free Standing Type

Suffix **E** is put at the end of model name.

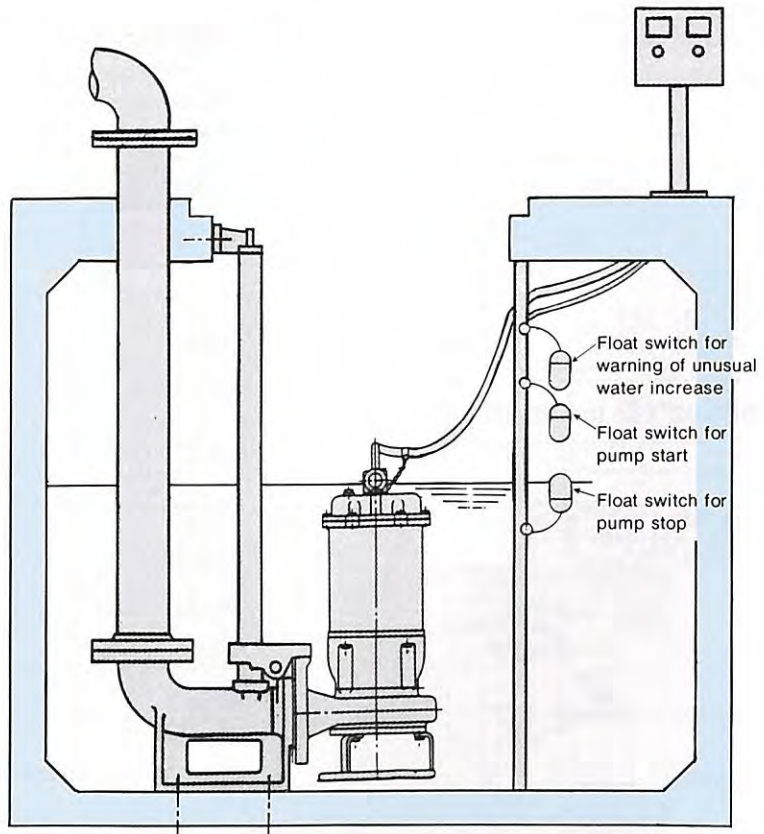
E.I.M Submersibles can be installed directly on the pit floor with strainer or suction cover or stand. Discharge is manually connected directly to pipe only by an elbow. By merely disconnecting their pipes, the pumps can be moved to other sites.



## Elbow Assembly Type

Suffix **B** is put at the end of model name.




E.I.M Submersibles can be lowered into the pit for permanent installation, without anyone entering into the pit, without disconnecting any piping, for inspection and maintenance. Lowering and rising are accomplished by means of guide pipes. When lowered into position, pumps automatically seal to a discharge elbow by the pump's own weight without the use of bolts or special tools.



• Notes: Dry pit type is also available, on request.

# RELATED PUMPS

We provide SU series, SUR series, and SEC series pumps for sewage and wastewater in addition to SE series, which suck in and crush fibrous materials and cut stringy materials. These three models are lightweight, are compact, and large capacity.

| Division         | For solid sewage  | For sewage, Solid Handling   | For sewage to be crushed cutter   |
|------------------|---|--|---|
| Type             | SU type   | SUR type   | SEC type  |
| Configuration    |  <p>Heavy Sewage</p>   |  <p>Voltex Type</p>   |  <p>With Cutter</p>  |
| Motor            | 0.75 to 275 kW  | 0.4 to 22 kW   | 0.75 to 7.5 kW  |
| Nominal Diameter | 50 to 600mm   | 50 to 200mm  | 50 to 100mm   |
| Applications     | <ul style="list-style-type: none"> <li>• Community water treatment plants</li> <li>• Transferring/process water treatment plants / sewage</li> <li>• Sewage from buildings / sanitary facilities</li> <li>• Factory sewage</li> <li>• Sewage from livestock farms</li> <li>• Sewage from homes</li> <li>• Roadway drainage</li> </ul> | <ul style="list-style-type: none"> <li>• Sewage Removal in the buildings, kitchen</li> <li>• Treatment of Sewage / Raw Sewage</li> <li>• Poultry / Swinery Sewage Disposal</li> <li>• Transferring of Wastewater / Sewage of Flood Processing Plants &amp; Various Markets.</li> </ul> | <ul style="list-style-type: none"> <li>• Sump, kitchen drainage</li> <li>• Draining solid sewage from food processing and other industries</li> </ul> |

Please refer to the individual catalog for details.



## SAFETY PRECAUTIONS

- Before operating our pumps, read the operation manual carefully.
- All the pictures shown in this catalogue have been taken after removing all the safety devices legally required, to make the products easier to see.
- Pump and pump installations drawings are only for explanatory and descriptive purposes.

- The designs or specifications of the types in this catalogue are subject to change without prior notice due to continual improvement.

---

Please provide E.I.M. with the following information when inquiring or ordering.

- Application
- Nature of Liquid
- Kind and Size of Sewage, Solid Sewage
- Head Size
- Capacity at Head
- Nominal Diameter
- Voltage
- Frequency
- Type of Installation : Free Standing or Discharge Elbow Assembly



### **E.I.M. ELECTRIC CO.,LTD.**

URL <http://www.eimpump.co.jp>

412, Katsushika 2-chome, Funabashi City, Chiba, 273-0032 Japan  
Phone : +81-474-37-2711    Telefax : +81-474-37-3969

YOUR. E.I.M. DEALER IS

PCE-2001

© Printed in Japan February 2008 1YOB 97.3