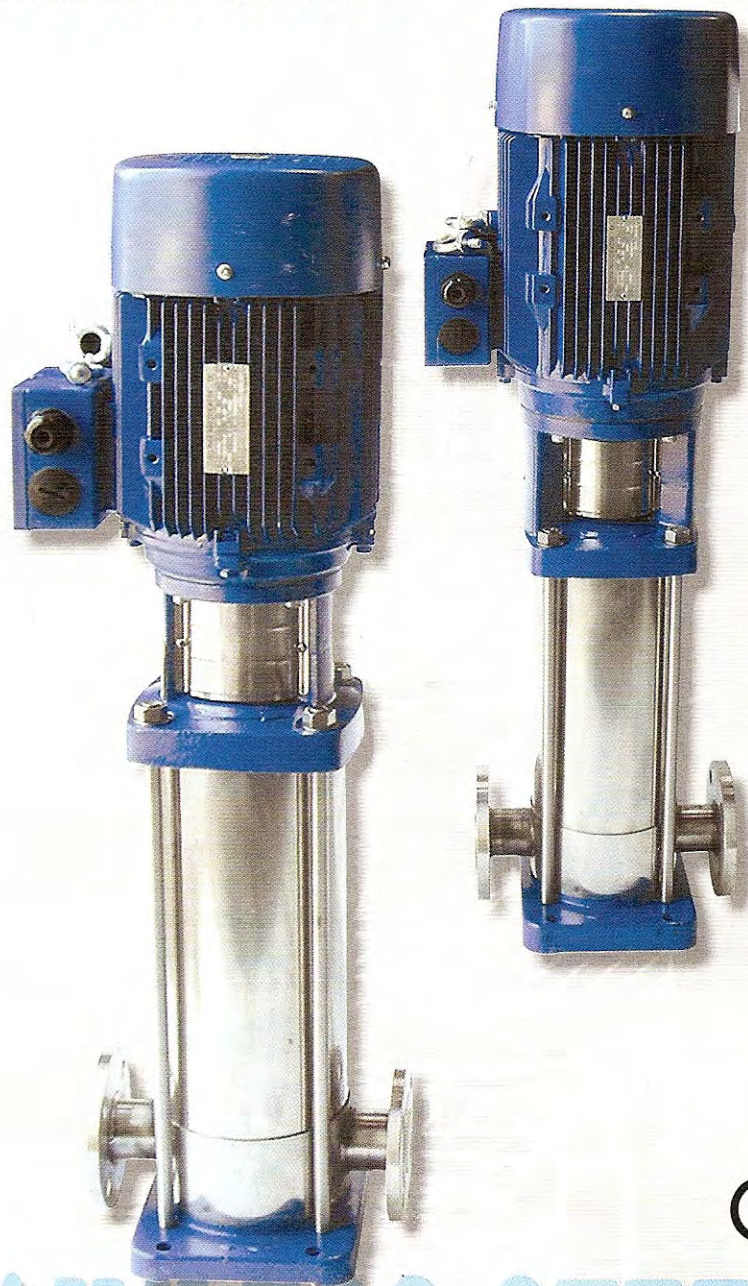


VERTICAL MULTI STAGE CENTRIFUGAL PUMPS

SV/MSV/MSVF/MSVS

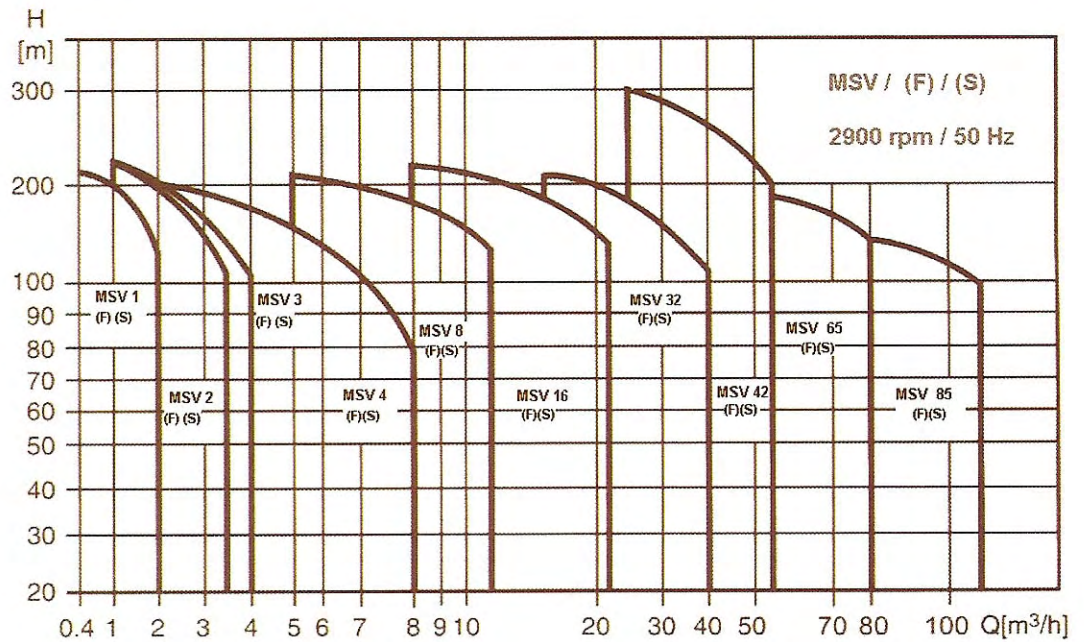


STAINLESS STEEL

新法機械有限公司
NEW WAY ENGINEERING CO., LTD.
香港九龍新蒲崗六合街8號六合工業大廈22字樓F座
FLAT F, 22/F., LUK HOP INDUSTRIAL BUILDING,
8 LUK HOP STREET, SAN PO KONG, KOWLOON, H.K.
Tel : 2325 6892, 2325 7196 Fax No.: (852) 2322 1768
E-mail : info@newway.com.hk

DRAKOS - POLEMIS  PUMPS

DRAKOS - POLEMIS PUMPS



APPLICATIONS

- ▶ Booster Sets
- ▶ Water treatment
- ▶ Air - conditioning
- ▶ Irrigation
- ▶ Water transfer
- ▶ Marine applications
- ▶ SPRINKLER installations
- ▶ Washing systems
- ▶ Boiler feed
- ▶ Fountain
- ▶ Fire fighting
- ▶ Flushing Water

OPERATION CONDITIONS

- ▶ Capacity up to 110 m³/h at 2850 rpm.
- ▶ Head up to 305 m at 2850 rpm.
- ▶ Capacity up to 55 m³/h at 1450 rpm.
- ▶ Head up to 77 m at 1450 rpm.
- ▶ Max. working pressure: 30 bars
- ▶ Max. liquid temperature: -15 °C to +120 °C

PUMP

MSV / (F) / (S) are vertical multistage centrifugal pumps, suitable for clean water, according to the international standards.

Suction and discharge ports are IN - LINE arrangement, threaded or flanged

Suction and discharge casings are made of cast iron for MSVF type, of AISI 304 stainless steel for MSV type and of AISI316 for MSVS and SV type.

Pump casing consists of a number of modules stages, held together by tie bolts.

The base plate and the pump head are made of cast iron, all impellers are balanced. Mechanical seal is according to DIN 24960 (carbon/silicon carbide). The pump is sealed with O-rings.

PUMP SIZE	DIN FLANGE	THREADED SOCKET
SV / MSV / (F) / (S) 2	DN 24	Ø 32 mm
SV / MSV / (F) / (S) 4	DN 32	Ø 32 mm
SV / MSV / (F) / (S) 8	DN 40	Ø 50 mm
SV / MSV / (F) / (S) 16	DN 50	Ø 50 mm
SV / MSV / (F) / (S) 32	DN 65	-
SV / MSV / (F) / (S) 42	DN 80	-
SV / MSV / (F) / (S) 65	DN 100	-
SV / MSV / (F) / (S) 85	DN 100	-

SPECIAL APPLICATIONS

- ▶ Dry running protection and lack of phase.

ELECTRIC MOTOR

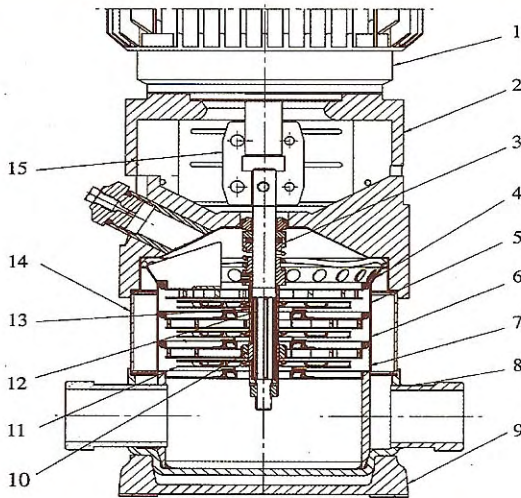
Specially developed three - phase motor.

- 2850 rpm and 1450 rpm 50Hz.
- 3600 rpm and 1800 rpm 60Hz.

TEFC, IP 55, insulation Class F. Mounting V1 / B14 direction of rotation clock - wise as seen from the top of the electric motor.

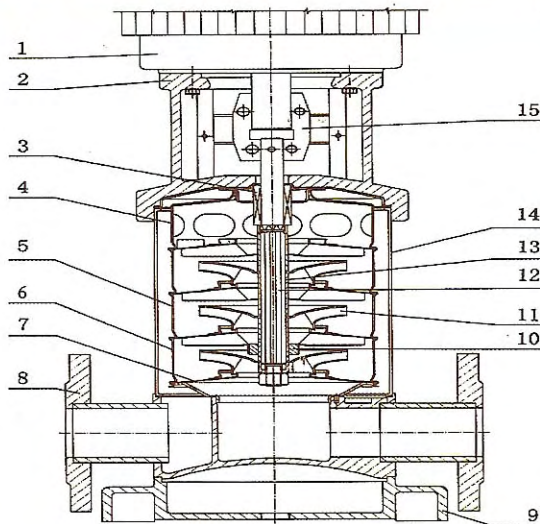
SECTIONAL DRAWINGS

SV / MSV 2 SV / MSV 4



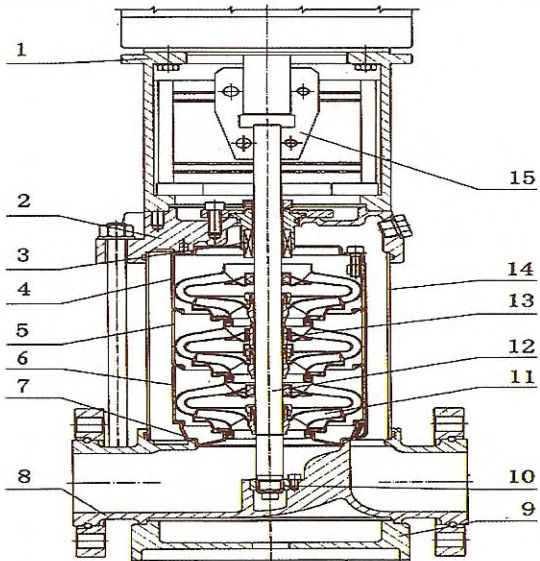
No	NAME	MATERIAL	AISI / ASTM
1	Electric Motor		
2	Pump Head	Cast iron	ASTM25B
3	Mechanical seal		
4	Water - out guide vane	Stainless steel	AISI304
5	Support guide vane	Stainless steel	AISI304
6	Guide vane	Stainless steel	AISI304
7	Inducer	Stainless steel	AISI304
9	Base frame	Cast iron	ASTM25B
10	Bearing		
11	Impeller	Stainless steel	AISI304
12	Shaft	Stainless steel	AISI316
13	Impeller separating sleeve	Stainless steel	AISI304
14	Pressure - resistant cylinder	Stainless steel	AISI304
15	Coupling	Cast iron	
	Rubber parts	FPM	
SV / MSV			
8	Suction / discharge casing	Stainless steel	AISI304
MSV-F			
8	Suction / discharge casing	Cast iron	ASTM25B

SV / MSV 8 SV / MSV 16



No	NAME	MATERIAL	AISI / ASTM
1	Electric Motor		
2	Pump Head	Cast iron	ASTM25B
3	Mechanical seal		
4	Water - out guide vane	Stainless steel	AISI304
5	Support guide vane	Stainless steel	AISI304
6	Guide vane	Stainless steel	AISI304
7	Inducer	Stainless steel	AISI304
9	Base frame	Cast iron	ASTM25B
10	Bearing		
11	Impeller	Stainless steel	AISI304
12	Shaft	Stainless steel	AISI316
13	Impeller separating sleeve	Stainless steel	AISI304
14	Pressure - resistant cylinder	Stainless steel	AISI304
15	Coupling	Cast iron	
	Rubber parts	FPM	
SV / MSV			
8	Suction / discharge casing	Stainless steel	AISI304
MSV-F			
8	Suction / discharge casing	Cast iron	ASTM25B

SV / MSV 32/42 SV / MSV 65/85



No	NAME	MATERIAL	AISI / ASTM
1	Bracket	Cast iron	ASTM25B
2	Pump Head	Cast iron	ASTM25B
3	Mechanical seal		
4	Water - out guide vane	Stainless steel	AISI304
5	Support guide vane	Stainless steel	AISI304
6	Guide vane	Stainless steel	AISI304
7	Inducer	Stainless steel	AISI304
9	Base frame	Cast iron	ASTM25B
10	Bottom Bearing		
11	Impeller	Stainless steel	AISI304
12	Shaft	Stainless steel	AISI316
13	Intermediate - shaft sleeve	Carbide	
14	Pressure - resistant cylinder	Stainless steel	AISI304
15	Coupling	Cast iron	
	Rubber parts	FPM	
SV / MSV			
8	Suction / discharge casing	Stainless steel	AISI304
MSV-F			
8	Suction / discharge casing	Cast iron	ASTM25B

Note: For MSV-S 'IN - LINE' section is manufactured in stainless steel AISI 316